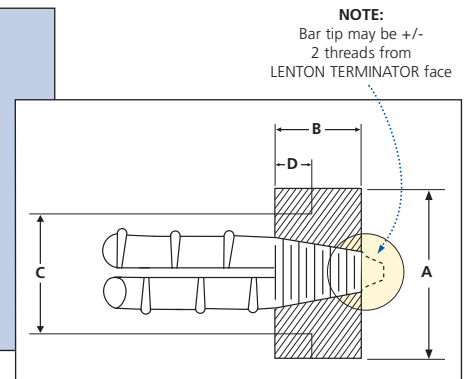
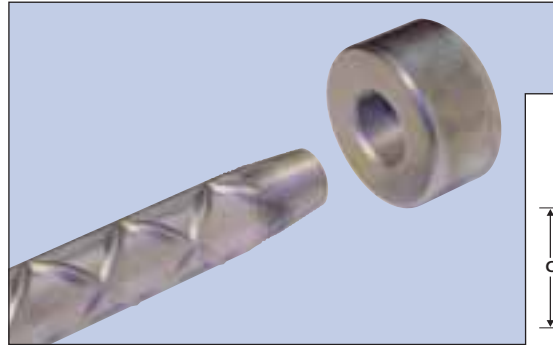


# LENTON® TERMINATOR "D6" Embedment Anchor

## Features

- Replaces conventional hooked rebar
- Simplifies bar placement and lowers placing costs
- Permits rebar to be added without increasing the size of the components embedded in the concrete
- Reduces rebar congestion
- Provides greater design flexibility
- Exceeds ACI®, UBC® and IBC® full-tension splice requirements
- Exceeds Type 1 and Type 2 splice requirements
- Head area meets or exceeds 5x rebar area
- Complies with ASTM A970



## Description

The LENTON® TERMINATOR is an oversized coupling device secured to one end of a length of reinforcing steel. The connection utilizes the LENTON® taper-threaded system. LENTON TERMINATOR requires approximately four revolutions to fasten to the bar and tightens using a standard pipe wrench. The reinforcing steel is purchased pre-threaded at a local rebar fabrication shop. Contact ERICO® for your nearest supplier.

## Splice Performance

The assembled connection is capable of exceeding the ACI®, UBC®, A970, and IBC® Building Code requirements for full tension mechanical splices. The embedment length and pull-out strengths shall be determined by the structural engineer. For a copy of the ICC-ES ER-3967 or IAPMO-ES ER-0129 reports, please visit [www.erico.com](http://www.erico.com).

## Typical Applications

New Reinforced Concrete Construction:

- Minimizes congestion created by bent sections of reinforcing steel.
- Reduces the embedment length of reinforcing steel.

Bar Size	Part No.	"A" Dia.	"B" Dim.	"C" Dia.	"D" Dim.	Weight	Qty/Box	Ends/Chaser*
#4	EL12D6	1-3/8	9/16	N/A	N/A	0.2	150	400
#5	EL16D6	1-1/2	7/8	N/A	N/A	0.4	125	400
#6	EL20D6	1-7/8	1-1/8	N/A	N/A	0.8	50	360
#7	EL22D6	2	1-1/4	N/A	N/A	1.0	40	330
#8	EL25D6	2-1/4	1-3/8	N/A	N/A	1.3	30	300
#9	EL28D6	2-3/4	1-1/2	N/A	N/A	2.2	20	280
#10	EL32D6	3	1-9/16	N/A	N/A	2.7	15	250
#11	EL36D6	3-1/4	1-11/16	N/A	N/A	3.4	10	230
#14	EL43TD6	4	2-1/8	3	1	4.9	8	220
#18	EL57TD6	5-1/8	2-3/4	3	1	9.8	4	180

\*Approximate

### WARNING

ERICO products shall be installed and used only as indicated in ERICO's product instruction sheets and training materials. Instruction sheets are available at [www.erico.com](http://www.erico.com) and from your ERICO customer service representative. Improper installation, misuse, misapplication or other failure to completely follow ERICO's instructions and warnings may cause product malfunction, property damage, serious bodily injury and death.

ACI is a registered trademark of the American Concrete Institute. UBC is a registered trademark of the International Conference of Building Officials. IBC is a registered trademark of the International Building Code. ICC Electrical Code is a registered trademark of the International Code Council.

Copyright ©2009 ERICO International Corporation. All rights reserved.

CADDY, CADWELD, CRITEC, ERICO, ERIFLEX, ERITECH, and LENTON are registered trademarks of ERICO International Corporation.

Phone: 800-248-2677

Fax: 800-462-4712

[www.erico.com](http://www.erico.com)