

LENTON[®]

DETAILER'S GUIDE (AMERICAS)

A = Diameter (hex measured across flats)
B = Length
C = Nominal Rebar Gap

All dimensions in inches

LENTON[®] Standard Couplers – A2

BAR SIZE	PART NO.	"A" HEX	"A" RD.	"B"	"C"	FIGURE
#4	EL12A2	1 1/16"	-----	1 5/8"	15/32"	FIG A
#5	EL16A2	7/8"	-----	2 3/16"	15/32"	FIG A
#6	EL20A2	1 1/16"	-----	2 13/16"	5/8"	FIG A
#7	EL22A2	1 3/16"	-----	3 5/32"	5/8"	FIG A
#8	EL25A2	-----	1 3/8"	3 11/32"	5/8"	FIG A
#9	EL28A2	-----	1 1/2"	3 19/32"	5/8"	FIG A
#10	EL32A2	-----	1 3/4"	3 25/32"	5/8"	FIG A
#11	EL36A2	-----	1 7/8"	3 31/32"	5/8"	FIG A
#14	EL43TA2	-----	2 1/4"	5 1/4"	27/32"	FIG A
#18	EL57TA2	-----	3"	6 15/32"	27/32"	FIG A

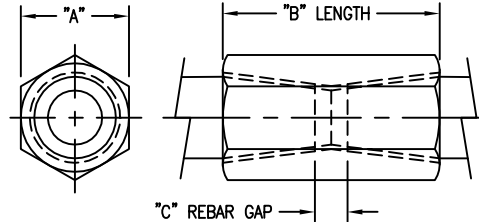


FIGURE A

LENTON[®] Transition Couplers – A2

BAR SIZE	PART NO.	"A" HEX	"A" RD.	"B"	"C"	FIGURE
#5/#4	EL1612A2	7/8"	-----	2 5/16"	7/8"	FIG B
#6/#5	EL2016A2	1 1/16"	-----	3"	1 1/32"	FIG B
#7/#6	EL2220A2	1 3/16"	-----	3 13/32"	1 1/16"	FIG B
#8/#7	EL2522A2	-----	1 3/8"	3 11/16"	1 1/16"	FIG B
#9/#8	EL2825A2	-----	1 1/2"	3 29/32"	1 1/16"	FIG B
#10/#8	EL3225A2	-----	1 3/4"	4"	1 1/16"	FIG B
#10/#9	EL3228A2	-----	1 3/4"	4 1/8"	1 1/16"	FIG B
#11/#9	EL3628A2	-----	1 7/8"	4 7/32"	1 1/16"	FIG B
#11/#10	EL3632A2	-----	1 7/8"	4 5/16"	1 1/16"	FIG B
#14/#10	EL43T32A2	-----	2 1/4"	5	1 7/32"	FIG B
#14/#11	EL43T36A2	-----	2 1/4"	5 3/32"	1 7/32"	FIG B
#18/#11	EL57T36A2	-----	3"	5 11/16"	1 3/16"	FIG B
#18/#14	EL57T43TA2	-----	3"	6 5/16"	1 5/16"	FIG B

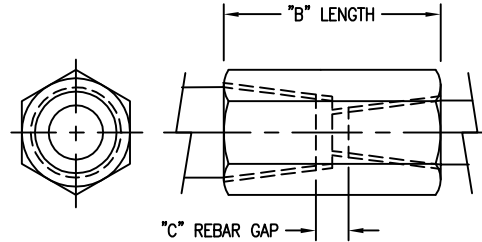


FIGURE B

LENTON[®] FORM SAVER – SA

BAR SIZE	PART NO.	"A" HEX	"A" RD.	"B"	"C"	"E"	FIGURE
#4	EL12SA	1 1/16"	-----	1 15/16"	15/32"	2 1/4"	FIG C
#5	EL16SA	7/8"	-----	2 1/2"	15/32"	2 1/4"	FIG C
#6	EL20SA	1 1/16"	-----	3 1/8"	21/32"	2 1/4"	FIG C
#7	EL22SA	1 3/16"	-----	3 15/32"	21/32"	2 1/4"	FIG C
#8	EL25SA	-----	1 3/8"	3 21/32"	21/32"	2 1/4"	FIG C
#9	EL28SA	-----	1 1/2"	3 7/8"	5/8"	2 1/2"	FIG C
#10	EL32SA	-----	1 3/4"	4 1/32"	5/8"	2 1/2"	FIG C
#11	EL36SA	-----	1 7/8"	4 7/32"	5/8"	2 1/2"	FIG C

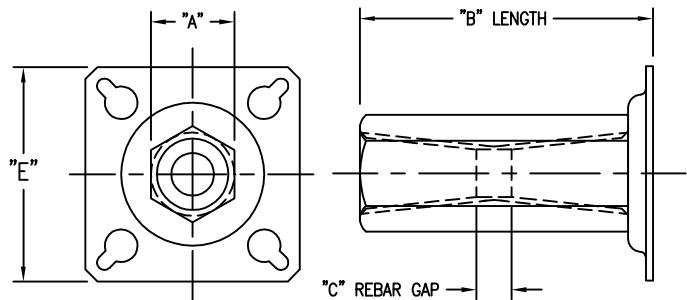


FIGURE C

WARNING

1. ERICO products shall be installed and used only as indicated in ERICO product instruction sheets and training materials. Instruction sheets are available at www.erico.com and from your ERICO customer service representative.
2. ERICO products must never be used for a purpose other than the purpose for which they were designed or in a manner that exceeds specified load ratings.
3. All instructions must be completely followed to ensure proper and safe installation and performance.
4. Improper installation, misuse, misapplication or other failure to completely follow ERICO's instructions and warnings may cause product malfunction, property damage, serious bodily injury and death.

The customer is responsible for:

- a. Conformance to all governing codes.
- b. The integrity of structures to which the products are attached, including their capability of safely accepting the loads imposed, as evaluated by a qualified engineer.
- c. Using appropriate industry standard hardware as noted above.

SAFETY INSTRUCTIONS: All governing codes and regulations and those required by the job site must be observed. Always use appropriate safety equipment such as eye protection, hard hat, and gloves as appropriate to the application.

CADDY, CADWELD, CRITEC, ERICO, ERIFLEX, ERITECH and LENTON are registered trademarks of ERICO International Corporation

TECHNICAL SUPPORT: www.erico.com

©2008 ERICO INTERNATIONAL CORPORATION

LENTON[®]

DETAILER'S GUIDE

(AMERICAS)

A = Diameter
 B = Length
 C = Nominal Rebar Gap

All dimensions in inches

LENTON[®] Position Couplers – P8

BAR SIZE	PART NO.	"A" RD.	"B"	"B1"		"C"		FIGURE
				min	max	min	max	
#5	EL16P8	1 13/16"	5 1/8"	5 7/16"	6 11/16"	3 3/4"	4 31/32"	FIG D
#6	EL20P8	1 13/16"	5 27/32"	6 3/16"	7 13/16"	4"	5 5/8"	FIG D
#7	EL22P8	1 13/16"	6 5/16"	6 5/8"	8 7/16"	4 1/8"	5 15/16"	FIG D
#8	EL25P8	1 13/16"	6 23/32"	7 1/16"	8 31/32"	4 3/8"	6 1/4"	FIG D
#9	EL28P8	2 1/2"	6 7/8"	7 1/4"	9 1/4"	4 1/4"	6 9/32"	FIG D
#10	EL32P8	2 1/2"	7 5/16"	7 11/16"	9 25/32"	4 1/2"	6 5/8"	FIG D
#11	EL36P8	2 1/2"	7 13/16"	8 3/16"	10 3/8"	4 13/16"	7 1/32"	FIG D
#14	EL43TP8	3"	11 11/16"	12 5/16"	15 3/32"	7 29/32"	10 11/16"	FIG E
#18	EL57TP8	4"	13 31/32"	14 9/16"	18"	8 31/32"	12 3/8"	FIG E

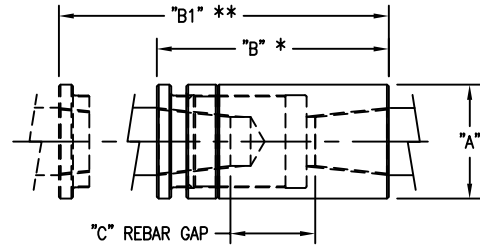


FIGURE D

LENTON[®] Position Couplers – P14L

BAR SIZE	PART NO.	"A" RD.	"B"	"B1"	"C"	FIGURE
#4	EL12P14L	1"	3 21/32"	4"	2 9/16"	FIG E
#5	EL16P14L	1 1/4"	4 9/32"	4 5/8"	2 23/32"	FIG E

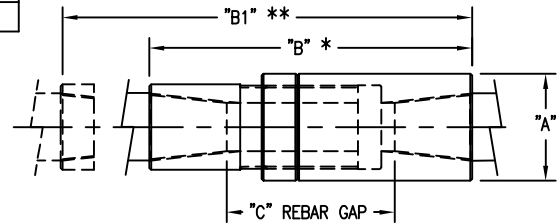


FIGURE E

LENTON[®] Position Couplers – P9

BAR SIZE	PART NO.	"A" RD.	"B"	"B1"	"C"	FIGURE
#6	EL20P9	1 13/16"	4 11/32"	4 11/16"	2 1/2"	FIG D
#7	EL22P9	1 13/16"	4 21/32"	5"	2 15/32"	FIG D
#8	EL25P9	1 13/16"	4 31/32"	5 5/16"	2 5/8"	FIG D
#9	EL28P9	2 1/2"	5 5/32"	5 1/2"	2 17/32"	FIG D
#10	EL32P9	2 1/2"	5 13/32"	5 3/4"	2 19/32"	FIG D
#11	EL36P9	2 1/2"	5 25/32"	6 1/8"	2 25/32"	FIG D
#14	EL43TP9	3"	8 13/16"	9 7/16"	5 1/16"	FIG E
#18	EL57TP9	4"	10 1/2"	11 1/8"	5 1/2"	FIG E

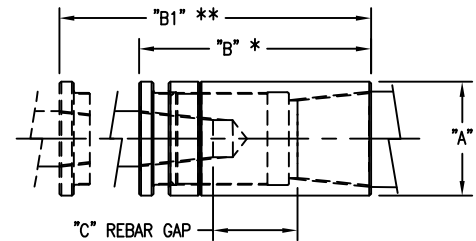


FIGURE F

LENTON[®] Position Transition Couplers – P9

BAR SIZE	PART NO.	"A" RD.	"B"	"B1"	"C"	FIGURE
#7/#6	EL2220P9	1 13/16"	4 21/32"	5"	2 21/32"	FIG F
#8/#7	EL2522P9	1 13/16"	4 31/32"	5 5/16"	2 23/32"	FIG F
#9/#8	EL2825P9	2 1/2"	5 5/32"	5 1/2"	2 21/32"	FIG F
#10/#9	EL3228P9	2 1/2"	5 13/32"	5 3/4"	2 11/16"	FIG F
#11/#10	EL3632P9	2 1/2"	5 25/32"	6 1/8"	2 7/8"	FIG F
#14/#11	EL43T36P9	3"	8 13/16"	9 7/16"	5 9/16"	FIG G
#18/#14	EL57T43TP9	4"	10 1/2"	11 1/8"	6 1/8"	FIG G

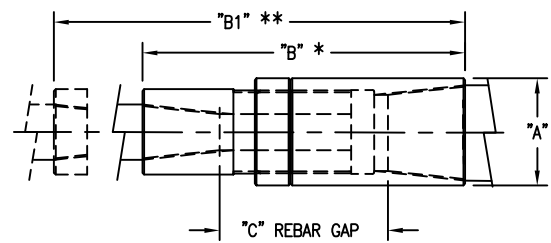


FIGURE G

* SHOWN IN SHIPPED POSITION

** SHOWN IN FULLY OPEN INSTALLED POSITION

TECHNICAL SUPPORT: www.erico.com

©2008 ERICO INTERNATIONAL CORPORATION

LENTON[®] DETAILERS GUIDE (AMERICAS)

A = Diameter
B = Length
C = Nominal Rebar Gap

All dimensions in inches

LENTON[®] TERMINATOR – D6

BAR SIZE	PART NO.	"A"	"B"	FIGURE
#4	EL12D6	1 3/8"	9/16"	FIG H
#5	EL16D6	1 1/2"	7/8"	FIG H
#6	EL20D6	1 7/8"	1 1/8"	FIG H
#7	EL22D6	2"	1 1/4"	FIG H
#8	EL25D6	2 1/4"	1 3/8"	FIG H
#9	EL28D6	2 3/4"	1 1/2"	FIG H
#10	EL32D6	3"	1 9/16"	FIG H
#11	EL36D6	3 1/4"	1 11/16"	FIG H
#14	EL43TD6	4"	2 1/8"	FIG H
#18	EL57TD6	5 1/8"	2 3/4"	FIG H

NOTE: Thread does not need to be flush with end of LENTON[®] TERMINATOR. Thread may be +/- 2 threads from backside of coupler.

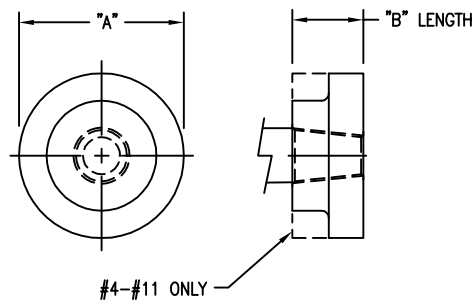


FIGURE H

LENTON[®] Weldable Couplers – C2/C3J

BAR SIZE	PART NO.	"A"	"B"	"c"	"c"	FIGURE
#4	EL12C2	3/4"	1 3/16"	7/16"	19/32"	FIG I
#5	EL16C2	1"	1 3/8"	9/16"	1/2"	FIG I
#6	EL20C3J	1 1/4"	2 5/32"	7/8"	1 1/16"	FIG I
#7	EL22C3J	1 1/4"	2 13/32"	3/4"	1 5/32"	FIG I
#8	EL25C3J	1 9/16"	2 17/32"	1"	1 3/16"	FIG I
#9	EL28C3J	1 9/16"	2 11/16"	15/16"	1 3/16"	FIG I
#10	EL32C3J	2"	2 7/8"	15/16"	1 9/32"	FIG I
#11	EL36C3J	2"	2 31/32"	1 1/8"	1 9/32"	FIG I
#14	EL43TC3J	2 3/8"	3 3/4"	1 7/16"	1 1/2"	FIG I
#18	EL57TC3J	3 1/8"	4 1/2"	1 3/4"	1 11/16"	FIG I

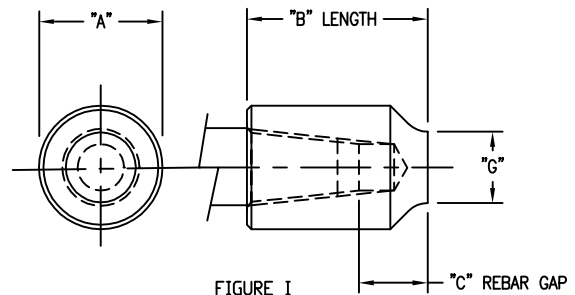


FIGURE I

TECHNICAL SUPPORT: www.erico.com

©2008 ERICO INTERNATIONAL CORPORATION