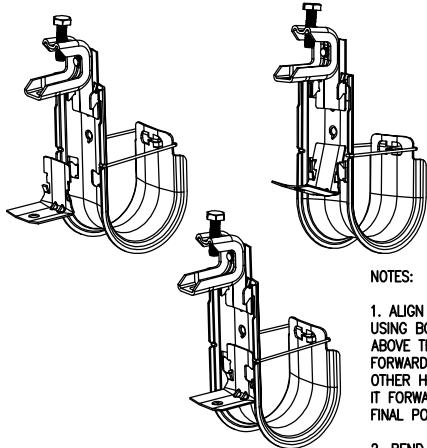


HIGH PERFORMANCE CADDY® CAT LINKS CABLE PULLER ASSEMBLIES

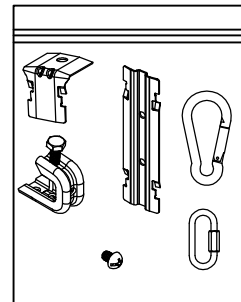
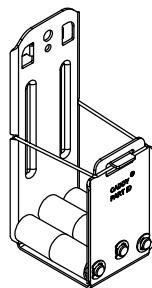
PART NO	
CATHPPLR	181093

ANGLE BRACKET ASSEMBLY

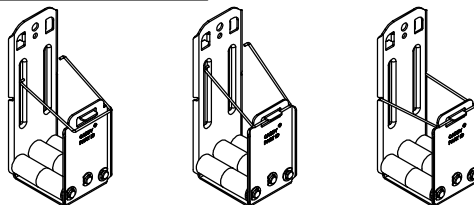


NOTES:

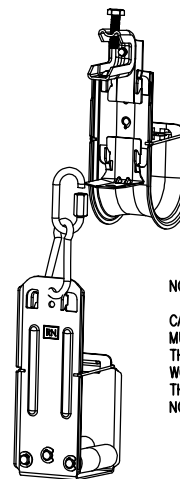
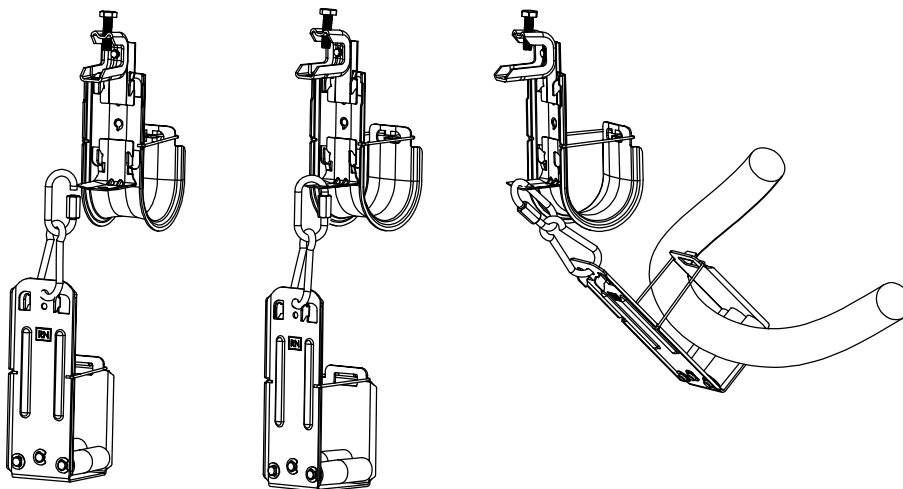
1. ALIGN BRACKET WITH THE LOWER TABS ON THE J-HOOK USING BOTH HANDS. IN THE CENTER OF THE BRACKET JUST ABOVE THE SIDE TABS, PRESS WITH ONE THUMB FIRMLY FORWARD AND DOWNWARD. AT THE SAME TIME USING YOUR OTHER HAND, GRAB THE MIDDLE ON THE BRACKET AND MOVE IT FORWARD AND BACKWARD UNTIL THE BRACKET MOVES INTO FINAL POSITION ON THE BACK OF THE J-HOOK.
2. BEND THE TWO TABS ON THE J-HOOK INWARD.



RETAINER ASSEMBLY



FOR 90° CORNER TURNS



NOTES:

CABLE PULLER ASSEMBLY MUST BE REMOVED AFTER THE CABLE INSTALLATION WORK IS DONE BECAUSE THE PLASTIC ROLLERS ARE NOT UL PLENUM RATED.

WARNING

1. ERICO products shall be installed and used only as indicated in ERICO product instruction sheets and training materials. Instruction sheets are available at www.erico.com and from your ERICO customer service representative.
2. ERICO products must never be used for a purpose other than the purpose for which they were designed or in a manner that exceeds specified load ratings.
3. All instructions must be completely followed to ensure proper and safe installation and performance.
4. Improper installation, misuse, misapplication or other failure to completely follow ERICO's instructions and warnings may cause product malfunction, property damage, serious bodily injury and death.
5. Products that are manufactured using spring steel components shall be used only in a non-corrosive indoor environment.
6. All pipe supports, hangers, intermediate components and structural attachments must ONLY be used as described herein and are NEVER to be used for any other purpose.

NOTE: All load ratings are for static conditions and do not account for dynamic loading such as wind, water or seismic loads, unless otherwise noted.

The customer is responsible for:

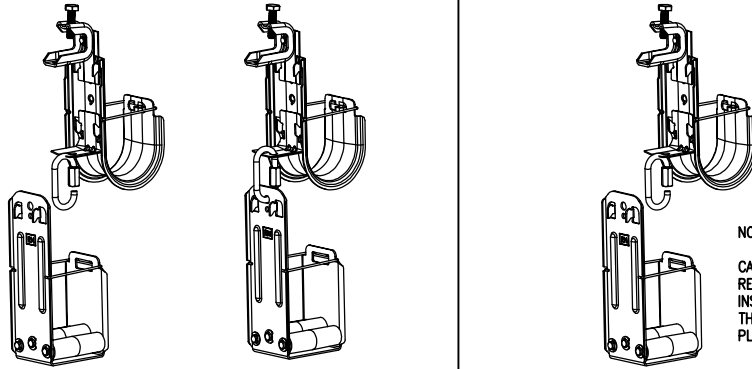
- a. Conformance to all governing codes.
- b. The integrity of structures to which the products are attached, including their capability of safely accepting the loads imposed, as evaluated by a qualified engineer.
- c. Using appropriate industry standard hardware as noted above.

SAFETY INSTRUCTIONS: All governing codes and regulations and those required by the job site must be observed. Always use appropriate safety equipment such as eye protection, hard hat, and gloves as appropriate to the application.

CADDY, CADWELD, CRITEC, ERICO, ERIFLEX, ERITECH and LENTON are registered trademarks of ERICO International Corporation.

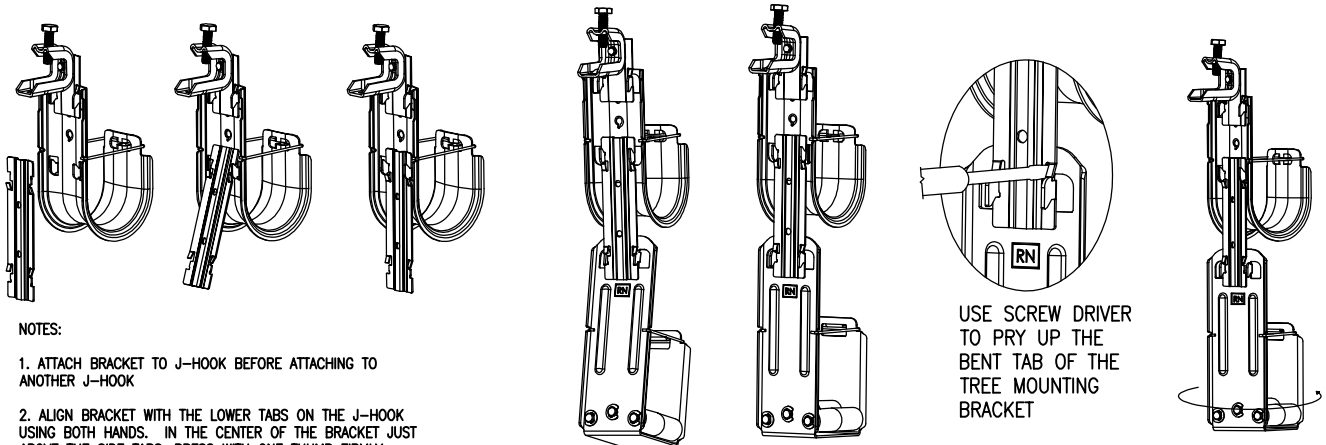


FOR START AND FINISH POSITIONS



NOTES:

CABLE PULLER ASSEMBLY MUST BE REMOVED AFTER THE CABLE INSTALLATION WORK IS DONE BECAUSE THE PLASTIC ROLLERS ARE NOT UL PLENUM RATED.



NOTES:

1. ATTACH BRACKET TO J-HOOK BEFORE ATTACHING TO ANOTHER J-HOOK
2. ALIGN BRACKET WITH THE LOWER TABS ON THE J-HOOK USING BOTH HANDS. IN THE CENTER OF THE BRACKET JUST ABOVE THE SIDE TABS, PRESS WITH ONE THUMB FIRMLY FORWARD AND DOWNWARD. AT THE SAME TIME USING YOUR OTHER HAND, GRAB THE MIDDLE OF THE BRACKET AND MOVE IT FORWARD AND BACKWARD UNTIL THE BRACKET MOVES INTO FINAL POSITION ON THE BACK OF THE J-HOOK.
3. BEND THE 2 TABS ON THE J-HOOK INWARD.

NOTE:

1. ALIGN BRACKET WITH THE TABS ON THE J-HOOK USING BOTH HANDS. IN THE CENTER OF THE BRACKET JUST BELOW THE SIDE TABS, PRESS WITH ONE THUMB FIRMLY FORWARD AND UPWARD. AT THE SAME TIME USING YOUR OTHER HAND, GRAB THE BRACKET JUST ABOVE THE TOP OF THE J-HOOK AND MOVE IT FORWARD AND BACKWARD UNTIL THE BRACKET MOVES INTO FINAL POSITION ON THE BACK OF THE J-HOOK.

NOTE: DO NOT BEND THE 2 TABS ON THE J-HOOK INWARD IN ORDER TO REMOVE THE ROLLER ASSEMBLY FROM THE J-HOOK.

USE SCREW DRIVER TO PRY UP THE BENT TAB OF THE TREE MOUNTING BRACKET

TWIST OFF

NOTES:

CABLE PULLER ASSEMBLY MUST BE REMOVED AFTER THE CABLE INSTALLATION WORK IS DONE BECAUSE THE PLASTIC ROLLERS ARE NOT UL PLENUM RATED.

FOR START AND FINISH POSITIONS

