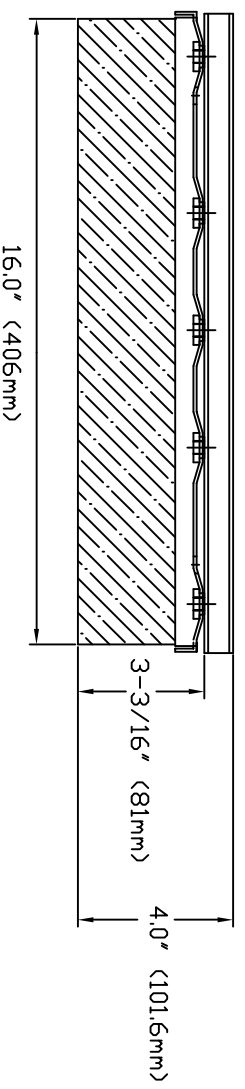
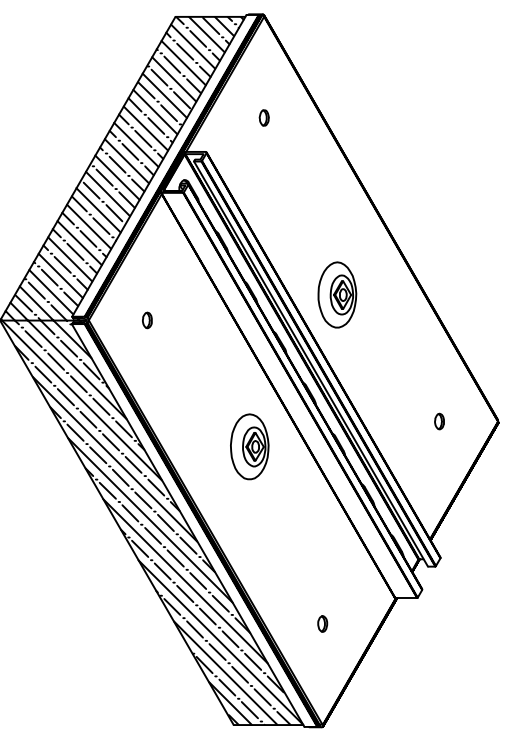
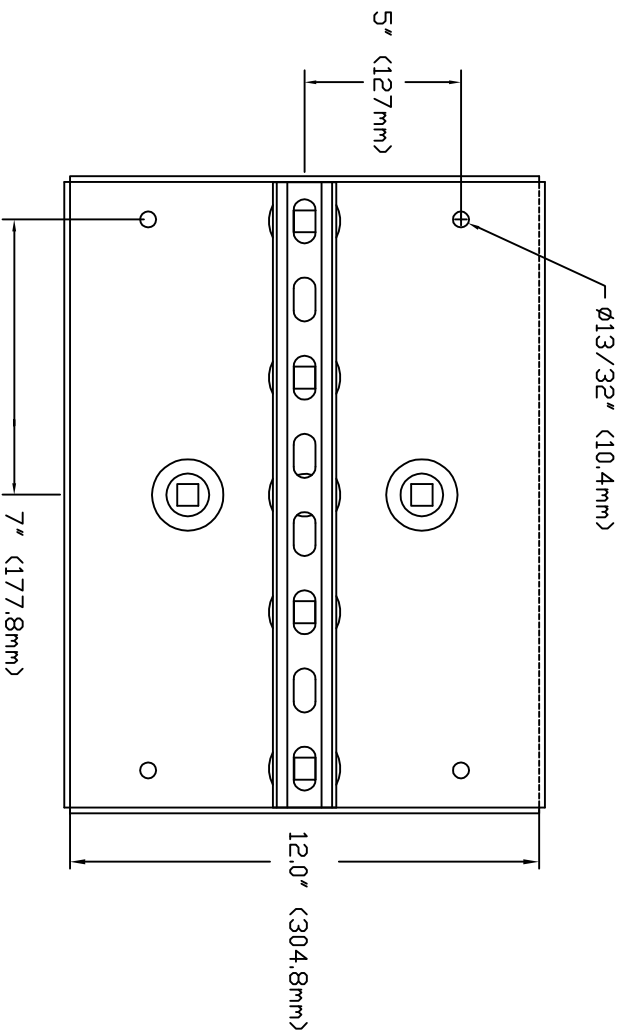


# CADDY® PYRAMID 150, CADDY PYRAMID 300, WITH STRUT



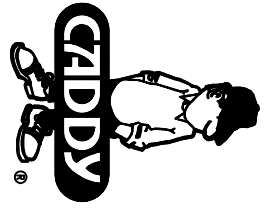
**WARNING**

ERICO products shall be installed and used only as indicated in ERICO's product instruction sheets and training materials. Instruction sheets are available at [www.erico.com](http://www.erico.com) and from your ERICO customer service representative. Improper installation, misuse, misapplication or other failure to completely follow ERICO's instructions and warnings may cause product malfunction, property damage, serious bodily injury and death.

This document and the contents thereof is the property of ERICO and is furnished to you for information only. The information contained herein is confidential and of a proprietary nature and may not be disclosed to third parties without the express written approval of ERICO. All dimensions and tolerances are in inches, unless otherwise specified. This document is not to be used as an instruction sheet. Instruction sheets are available at [www.erico.com](http://www.erico.com).

CADDY, CADWELD, CRITEC, ERICO, ERIFLEX, ERITECH and LENTON are registered trademarks of ERICO International Corporation.

TECHNICAL SUPPORT:  
[www.erico.com](http://www.erico.com)



CRSRPST12\_A