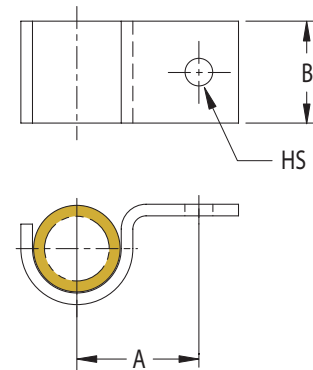


PIPE FIXINGS 007

One-hole Strap

- Size Range: 1/2" through 2"
- Surface Finish: Electro-zinc plated
- Recommended for supporting horizontal runs of piping from the face of a structural member
- Fastening hole in strap may be above or below pipe

Part Number	Nominal Pipe Size	A	B	HS
0070050EG	1/2"	1-1/8"	5/8"	1/4"
0070075EG	3/4"	1-1/4"	5/8"	1/4"
0070100EG	1"	1-3/8"	5/8"	1/4"
0070125EG	1-1/4"	1-9/16"	7/8"	1/4"
0070150EG	1-1/2"	1-11/16"	7/8"	1/4"
0070200EG	2"	1-15/16"	7/8"	1/4"

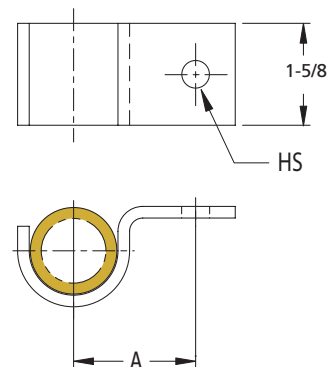


PIPE FIXINGS STR

One-hole Strap for Strut

- Size Range: 1/4" through 1"
- Surface Finish: Electro-zinc plated
- Recommended for supporting horizontal runs of piping from CADDY® ERISTRUT channel

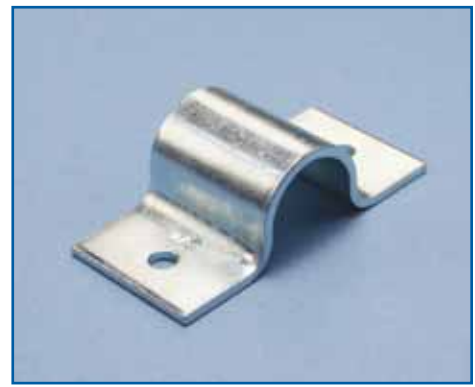
Part Number	Nominal Pipe Size	A	HS
STR0025EG	1/4"	11/16"	9/32"
STR0037EG	3/8"	3/4"	9/32"
STR0050EG	1/2"	13/16"	9/32"
STR0062EG	5/8"	7/8"	9/32"
STR0075EG	3/4"	15/16"	9/32"
STR0087EG	7/8"	1"	9/32"
STR0100EG	1"	1-1/8"	9/32"



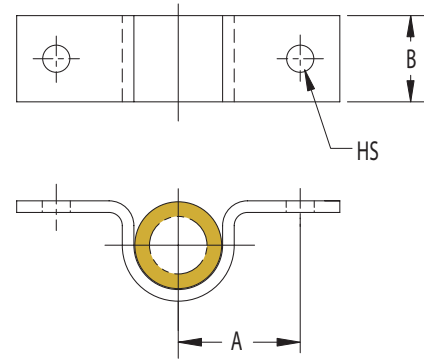
PIPE FIXINGS 008

Two-hole Strap

- Size Range: 1/4" through 4"
- Surface Finish: Electro-zinc plated
- Light duty support of pipe
- Attaches directly to the face of a horizontal or vertical structural member
- Conforms with Federal Specification WW-H-171 (Type 26), Manufacturers Standardization Society (MSS) SP-58 and SP-69 (Type 26)



Part Number	Nominal Pipe Size	A	B	HS
0080025EG	1/4"	15/16"	5/8"	1/4"
0080037EG	3/8"	1"	5/8"	1/4"
0080050EG	1/2"	1-1/8"	5/8"	1/4"
0080075EG	3/4"	1-1/4"	3/4"	1/4"
0080100EG	1"	1-3/8"	3/4"	1/4"
0080125EG	1-1/4"	1-1/2"	7/8"	1/4"
0080150EG	1-1/2"	1-5/8"	1-1/4"	1/4"
0080200EG	2"	1-7/8"	1-1/4"	1/4"
0080250EG	2-1/2"	2-1/8"	1-1/4"	1/4"
0080300EG	3"	3-3/16"	1-1/4"	1/4"
0080400EG	4"	3-1/2"	1-1/4"	1/4"



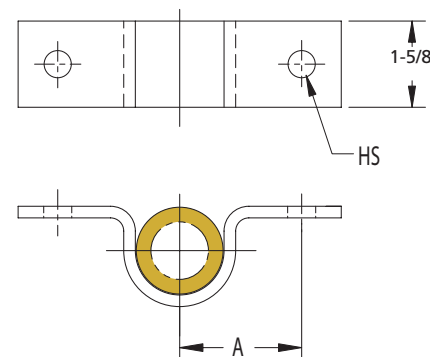
PIPE FIXINGS STR2

Two-hole Strap for Strut

- Size Range: 1/2" through 6"
- Surface Finish: Electro-zinc plated
- Recommended for supporting horizontal runs of piping from CADDY® ERISTRUT channel
- Conforms with Federal Specification WW-H-171 (Type 26), Manufacturers Standardization Society (MSS) SP-58 and SP-69 (Type 26)



Part Number	Nominal Pipe Size	A	HS
STR20050EG	1/2"	1-1/16"	9/32"
STR20075EG	3/4"	1-3/16"	9/32"
STR20100EG	1"	1-3/8"	9/32"
STR20125EG	1-1/4"	1-7/16"	9/32"
STR20150EG	1-1/2"	1-1/2"	9/32"
STR20200EG	2"	2-11/16"	7/16"
STR20250EG	2-1/2"	2-7/8"	7/16"
STR20300EG	3"	3-5/16"	7/16"
STR20350EG	3-1/2"	3-11/16"	7/16"
STR20400EG	4"	3-13/16"	7/16"
STR20500EG	5"	4-7/16"	7/16"
STR20600EG	6"	5-1/16"	7/16"



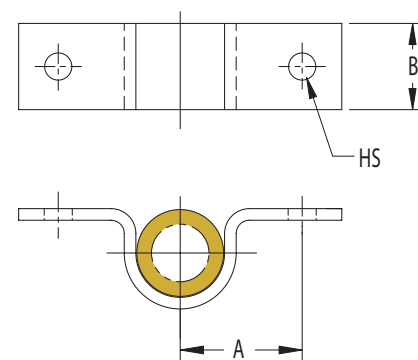
PIPE FIXINGS 470

Short Clip

- Size Range: 1/2" through 4"
- Surface Finish: Black
- Recommended for supporting pipe runs close to a ceiling or wall
- Conforms with Federal Specification WW-H-171 (Type 26), Manufacturers Standardization Society (MSS) SP-58 and SP-69 (Type 26)



Part Number	Nominal Pipe Size	A	B	HS	Max. Rec. Load (lbs)
4700050PL	1/2"	1-7/16"	1-1/4"	7/16"	300
4700075PL	3/4"	1-9/16"	1-1/4"	7/16"	300
4700100PL	1"	1-11/16"	1-1/4"	7/16"	300
4700125PL	1-1/4"	1-7/8"	1-1/4"	7/16"	300
4700150PL	1-1/2"	2"	1-1/4"	7/16"	300
4700200PL	2"	2-1/4"	1-1/4"	7/16"	300
4700250PL	2-1/2"	2-1/2"	1-1/4"	7/16"	500
4700300PL	3"	2-13/16"	1-1/4"	7/16"	500
4700400PL	4"	3-9/16"	1-1/2"	9/16"	500



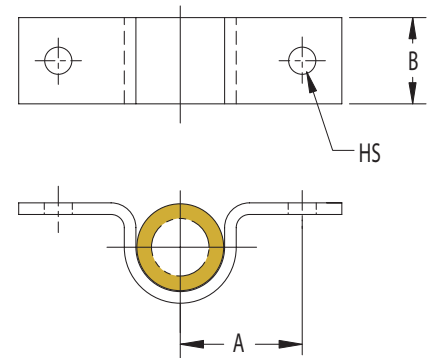
PIPE FIXINGS 008CP

Two-hole Strap for Copper Tubing

- Size Range: 1/4" through 2"
- Surface Finish: Copper colored coating (for identification purposes only)
- Light duty support of copper tubing
- Attaches directly to the face of a horizontal or vertical structural member
- Conforms with Federal Specification WW-H-171 (Type 26), Manufacturers Standardization Society (MSS) SP-58 and SP-69 (Type 26)



Part Number	Nominal Pipe Size	A	B	HS
0080025CP	1/4"	15/16"	5/8"	1/4"
0080037CP	3/8"	1"	5/8"	1/4"
0080050CP	1/2"	1-1/8"	5/8"	1/4"
0080075CP	3/4"	1-1/4"	3/4"	1/4"
0080100CP	1"	1-3/8"	3/4"	1/4"
0080125CP	1-1/4"	1-1/2"	7/8"	1/4"
0080150CP	1-1/2"	1-5/8"	1-1/4"	1/4"
0080200CP	2"	1-7/8"	1-1/4"	1/4"



PIPE FIXINGS 008CU

Two-hole Copper Strap for Copper Tubing – Solid Copper

- Size Range: 1/4" through 2"
- Surface Finish: Plain
- Light duty solid copper strap support for copper tubing
- Attaches directly to the face of a horizontal or vertical structural member
- Conforms with Federal Specification WW-H-171 (Type 26), Manufacturers Standardization Society (MSS) SP-58 and SP-69 (Type 26)



Part Number	Nominal Pipe Size	A	B	HS
008CU0025PL	1/4"	7/8"	5/8"	1/4"
008CU0037PL	3/8"	15/16"	5/8"	1/4"
008CU0050PL	1/2"	1"	5/8"	1/4"
008CU0075PL	3/4"	1-1/8"	3/4"	1/4"
008CU0100PL	1"	1-1/4"	3/4"	1/4"
008CU0125PL	1-1/4"	1-3/8"	7/8"	1/4"
008CU0150PL	1-1/2"	1-1/2"	1-1/4"	1/4"
008CU0200PL	2"	1-3/4"	1-1/4"	1/4"

