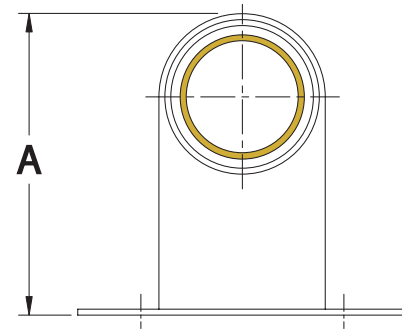


## PIPE FIXINGS 801

### Standard Pipe Stay

- Size Range: 1/2" through 2" (Copper)  
3/8" through 2" (Iron)
- Surface Finish: Black epoxy coat
- Used for water, heat or gas lines
- Sized for copper or iron pipe sizes

Part Number	Nominal Iron Pipe Size	Nominal Copper Pipe Size	A
801037050EP	3/8"	1/2"	2-1/4"
801050075EP	1/2"	3/4"	2-1/4"
801075100EP	3/4"	1"	2-9/16"
801100125EP	1"	1-1/4"	2-9/16"
801125150EP	1-1/4"	1-1/2"	4-1/4"
801150000EP	1-1/2"	-	4-1/4"
801000200EP	-	2"	4-3/8"
801200000EP	2"	-	4-3/8"

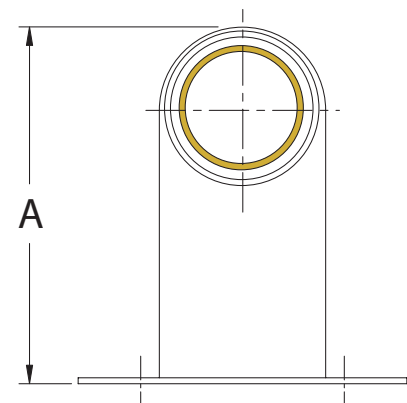


## PIPE FIXINGS 800

### Extended Pipe Stay

- Size Range: 1/2" through 1-1/4" (Copper)  
3/8" through 1" (Iron)
- Surface Finish: Black epoxy coat
- Used for water, heat or gas lines
- Sized for copper or iron pipe sizes

Part Number	Nominal Iron Pipe Size	Nominal Copper Pipe Size	A
800037050EP	3/8"	1/2"	3-5/16"
800050075EP	1/2"	3/4"	3-5/16"
800075100EP	3/4"	1"	3-11/16"
800100125EP	1"	1-1/4"	3-13/16"



# PIPE FIXINGS 802

## Double Pipe Stay

- Size Range: 1/2" through 1" (Copper)  
3/8" through 3/4" (Iron)
- Surface Finish: Black epoxy coat
- Used for water, heat or gas lines
- Sized for copper or iron pipe sizes



Part Number	Nominal Iron Pipe Size	Nominal Copper Pipe Size	A
802037050EP	3/8"	1/2"	2-3/16"
802050075EP	1/2"	3/4"	2-3/16"
802075100EP	3/4"	1"	2-9/16"

