

CADDY® PYRAMID 25

- Tested for outdoor use
- Small – 4" x 5" footprint
- Innovative designs won't damage roof membranes



Part Number	Fig. No.	Description	Max. Rec. Load (lbs)
PPRPS25H4	1	3-5/8" High Rooftop Pipe Support	25
PPRPS25H6	2	5-5/8" High Rooftop Pipe Support	25

Features

- Lightweight – Less than 1/3 lb.
- Protective – Sled design distributes the load evenly and protects the roof membrane
- Durable – UV-Rated
- Capable – Handles up to three 1/2" or two 3/4" or 1" pipes/conduit
- Easy to Install – No tools or fasteners needed
- Available in both 3-5/8 in. high and 5-5/8 in. high models

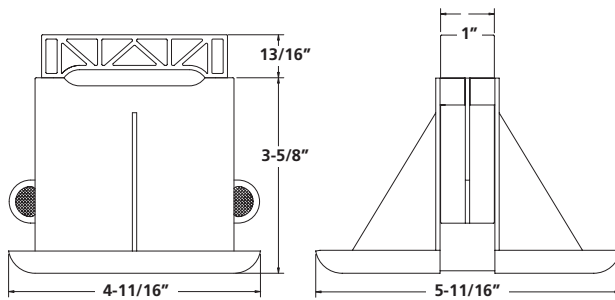


Fig. 1

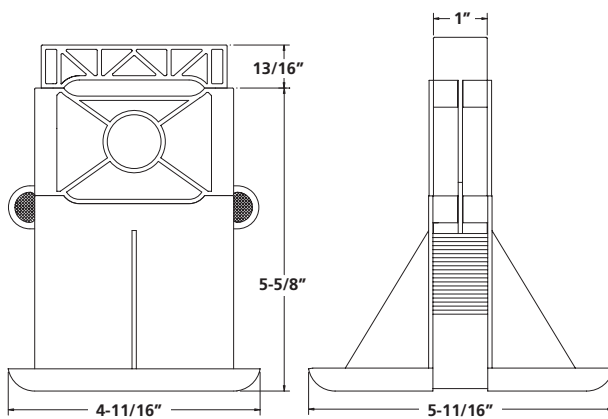


Fig. 2



CADDY® PYRAMID 50

- Surface Finish: Electro-zinc plated, CADDY® COAT Silver
- Eliminates need to field-fabricate rooftop pipe supports
- Large footprints of foam bases distribute loads over wider area
- Tested for outdoor use
- Innovative designs won't damage roof membranes
- The RPS50AHSV is a support for pipes and equipment in plenum areas below raised floors
- 14 gauge steel top accepts standard strut fittings



Part Number	Fig. No.	L	W	H	Max. Rec. Load (lbs)
RPS50AHSV	3	10-3/8"	3-5/16"	2-5/16"	50
RPS50H4EG	4	10-3/8"	4"	4"	50
RPS50H6EG	5	10-3/8"	5"	6"	50

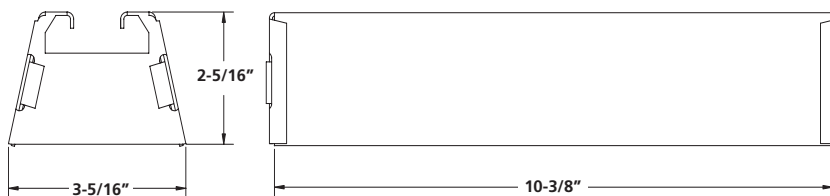


Fig. 3 CADDY COAT Silver

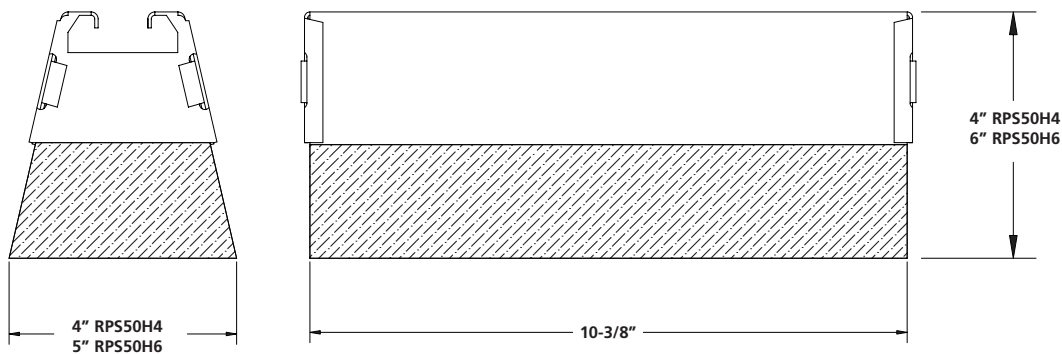


Fig. 4 & 5 Electro-zinc plated

CADDY® PYRAMID 150
CADDY® PYRAMID 300
CADDY® PYRAMID 600



- Surface Finish: Electro-zinc plated
- Tested for outdoor use
- Each base includes a total of six (6) 3/8"-16 threaded inserts to facilitate attachment of threaded hardware
- Eliminates need to field-fabricate rooftop pipe supports
- Large footprints of bases distribute loads over wider area
- Innovative designs won't damage roof membranes
- Available as an assembly with and without CADDY® ERISTRUT channel attached for use as a pipe or equipment support
- May also be used with the P10, P11 and P12 post bases

Part Number	Fig. No.	L	W	H	With Strut	Max. Rec. Load (lbs)
RPS150T1	6	16"	12"	3-3/16"	-	150
RPS150T2	7	16"	12"	4"	X	150
RPS300T1	6	16"	12"	3-3/16"	-	300
RPS300T2	7	16"	12"	4"	X	300
RPS600T2	8	32"	12"	X	600	
RPSCSEG	Not shown	-	-	-	-	600

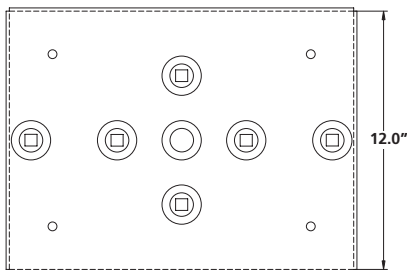


Fig. 6

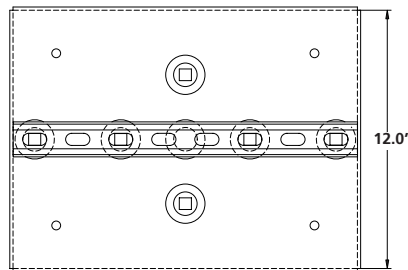


Fig. 7

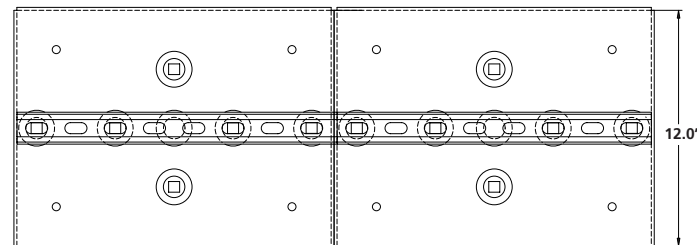
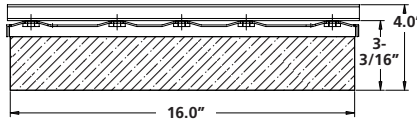
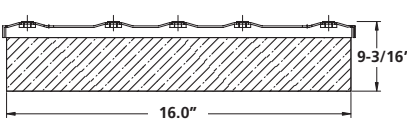


Fig. 8

