



Page 56

ERIC15



Page 57

ERIC16



Page 58

ERIC18



ERIC15 - Medium Duty Saddle Clamp for Steel Pipe

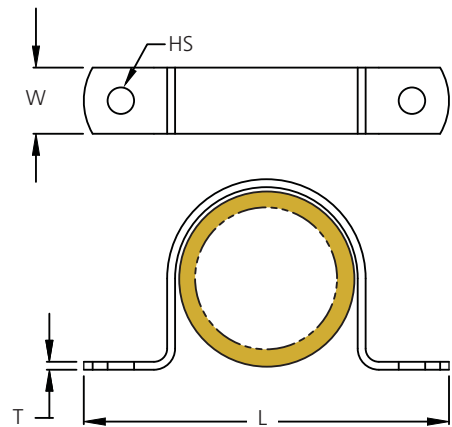
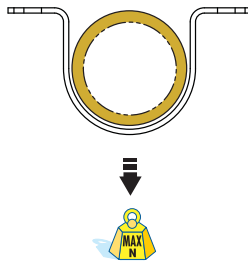
Medium duty support for Steel pipe

- Steel saddle clamp sizes 50 nb to 200 nb
- Attaches directly to horizontal or vertical structural member
- Supports pipe close to wall or ceiling
- Finish: Hot dip galvanised (HDG)



NOTE: Follow fastener manufacturer's recommended shear and pull-out strength when fastening to the structure.

N°	Pipe Size (nb)	Actual Pipe OD (mm)	W x T (mm)	L (mm)	HS (mm)	Max. Rec. Load (N)
ERIC15 - 60	50	60.3	40 x 6.0	160	14	3500
ERIC15 - 76	65	76.1	40 x 6.0	175	14	3500
ERIC15 - 89	80	88.9	40 x 6.0	190	14	5000
ERIC15 - 114	100	113.3	40 x 6.0	215	14	6000
ERIC15 - 165	150	165.1	40 x 6.0	265	14	6000
ERIC15 - 219	200	219	40 x 6.0	315	14	6000



ERIC16 - Medium Duty Two Piece Clamp for Steel and Copper Pipe

Fastening of vertical & horizontal pipe services

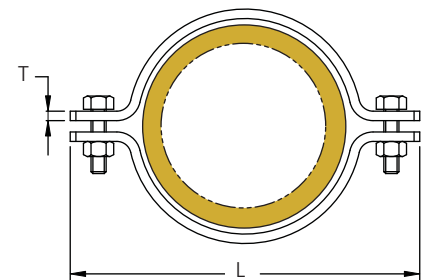
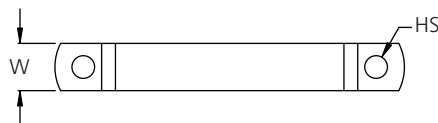
- Two piece bracket sizes 50 nb to 300 nb & 100 mm to 150 mm copper pipe
- Double bolted medium duty
- Finish: Hot dip galvanised (HDG)



N ^o	Pipe Size (nb)	Actual Pipe OD (mm)	W x T (mm)	L (mm)	HS (mm)	Max. Rec. Load (N)
ERIC 16 - 60	50	60.3	40 x 6.0	150	14	4000
ERIC 16 - 76	65	76.1	40 x 6.0	167	14	4000
ERIC 16 - 89	80	88.9	40 x 6.0	180	14	4000
ERIC 16 - 114	100	113.3	40 x 6.0	204	14	4000
ERIC 16 - 140	125	139.7	40 x 6.0	230	14	4000
ERIC 16 - 165	150	165.1	40 x 6.0	256	14	4000
ERIC 16 - 220	200	219	40 x 6.0	331	14	6000
ERIC 16 - 273	250	273	40 x 6.0	384	14	7500
ERIC 16 - 324	300	323.9	40 x 6.0	440	14	10000

For Copper Pipe

N ^o	Pipe Size (mm)	Actual Pipe OD (mm)	W x T (mm)	L (mm)	HS (mm)	Max. Rec. Load (N)
ERIC 16 - 102	100	101.6	40 x 6.0	192	14	4000
ERIC 16 - 127	125	127	40 x 6.0	218	14	4000
ERIC 16 - 152	150	152.4	40 x 6.0	243	14	4000



ERIC18 - Adjustable Clamp for Steel and Copper Pipe

Adjustable suspension of horizontal & vertical pipe services

- Two piece bracket sizes 50 nb to 250 nb & 125 mm and 150 mm copper pipe
- Adjustable yoke
- Double bolted
- Finish: Hot dip galvanised (HDG)



N ^o	Pipe Size (nb)	Actual Pipe OD (mm)	W x T (mm)	L (mm)	HS (mm)	Max. Rec. Load (N)
ERIC18 - 60	50	60.3	40 x 6.0	150	14	2000
ERIC18 - 76	65	76.1	40 x 6.0	177	14	4000
ERIC18 - 89	80	88.9	40 x 6.0	180	14	4000
ERIC18 - 114	100	113.3	40 x 6.0	204	14	5000
ERIC18 - 165	150	165.1	40 x 6.0	256	14	5000
ERIC18 - 219	200	219	40 x 6.0	331	14	5000
ERIC18 - 273	250	273	40 x 6.0	384	14	7500

For Copper Pipe

N ^o	Pipe Size (mm)	Actual Pipe OD (mm)	W x T (mm)	L (mm)	HS (mm)	Max. Rec. Load (N)
ERIC18 - 127	125	127	40 x 6.0	218	14	5000
ERIC18 - 152	150	152.4	40 x 6.0	243	14	5000

