



Page 78

MACRO V ISO



Page 79

EQV



Page 79

EQVS



Page 80

EQZS



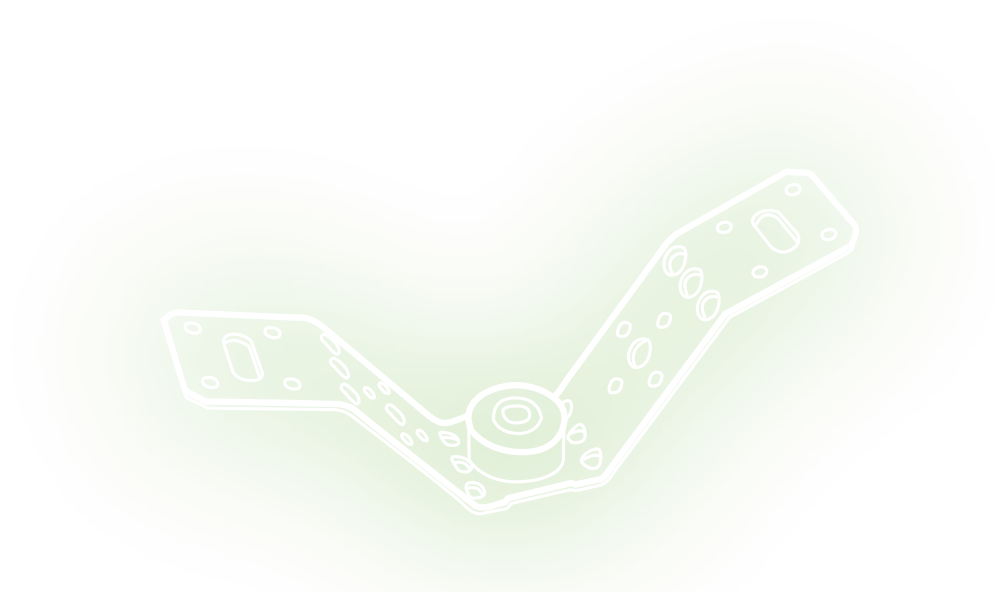
Page 80

EQLS



Page 81

EQ-ZAB



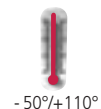
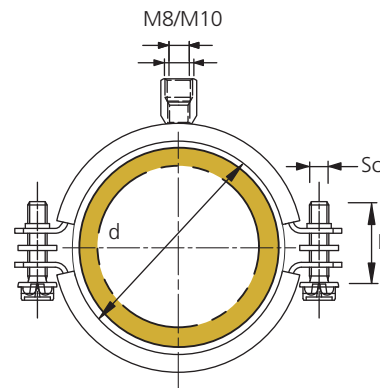
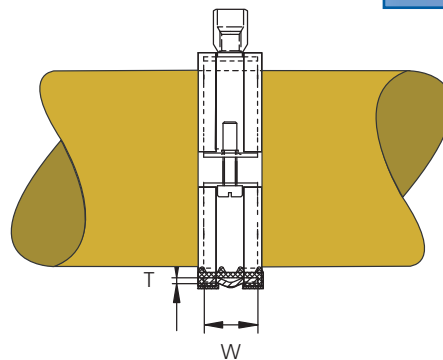
MACRO V ISO

Circular ducting clamp with M8/M10 combi boss

- EPDM rubber insulation for sound reduction compliant with DIN 4109
- M6 multi-function screw with combination head (slot & crosshead), with retaining washer
- Steel profile (W x T)
- For duct diameter from 200 mm - 710 mm
- Temperature rating from -50°C up to +110°C
- Fire rating B2 acc. to DIN EN 13501-1:E
- Finish: Electro-zinc plated (EG)



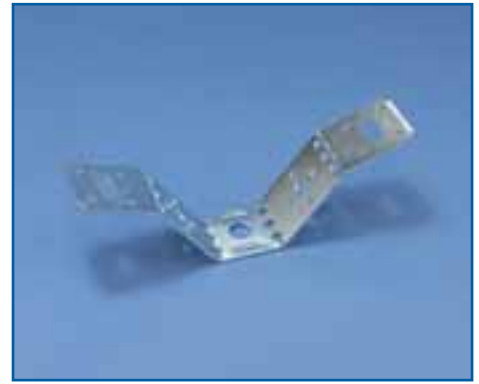
N°	d (mm)	W x T	Sc x L
582450	200	23 x 1.5	M6 x 40
582470	224	23 x 2.0	M6 x 40
582480	250	23 x 2.0	M6 x 40
582490	280	23 x 2.0	M6 x 40
582500	300	23 x 2.0	M6 x 40
582510	315	23 x 2.0	M6 x 40
582530	355	23 x 2.0	M6 x 40
582540	400	23 x 2.0	M6 x 40
582550	450	25 x 2.5	M6 x 40
582560	500	25 x 2.5	M6 x 40
582580	560	25 x 2.5	M6 x 40
582590	600	25 x 2.5	M6 x 40
582600	630	25 x 2.5	M6 x 40
582810	710	25 x 2.5	M6 x 40



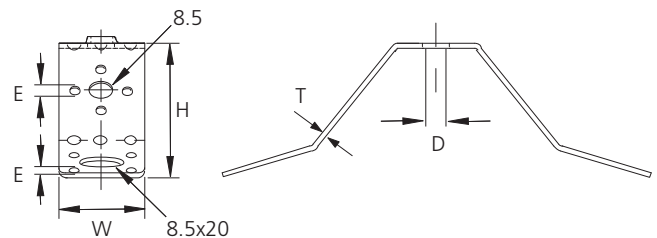
EQV

Ducting fixing

- V shaped bracket to form around spiral duct
- Fits on to various duct diameters
- Fixing with blind rivets or self drilling screws
- Material 40 x 2.0 mm (W x T)
- Finish: Electro-zinc plated (EG)



Nº	H (mm)	W (mm)	D (mm)	E (mm)
597590	60	40	10	4.2



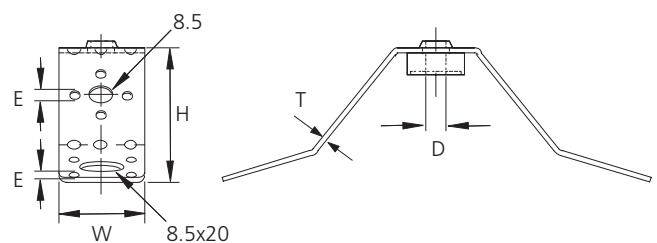
EQVS

Ducting fixing

- V shaped bracket to form around spiral duct
- Type S is supplied with sound reduction mounting compliant with DIN 4109
- Fits on to various duct diameters
- Fixing with blind rivets or self drilling screws
- Material 40 x 2.0 mm (W x T)
- Finish: Electro-zinc plated (EG)



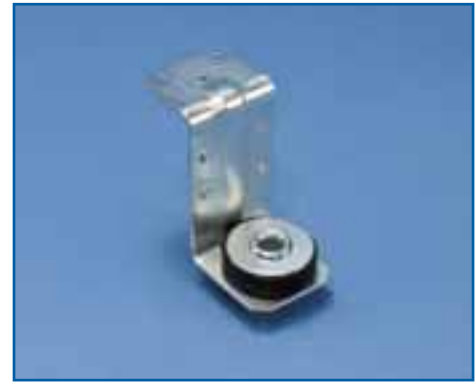
Nº	H (mm)	W (mm)	D (mm)	E (mm)	P
597770	60	40	8.4	4.2	1



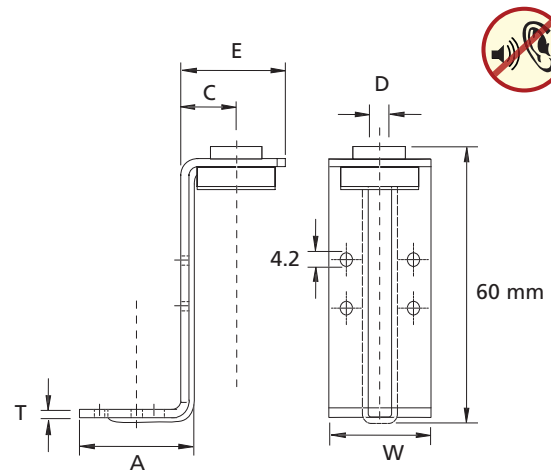
EQZS

Duct fixing bracket Z-shaped

- Quick installation of square ducts
- Supplied with sound reduction mounting compliant with DIN 4109
- Fixing with blind rivets or self drilling screws
- Easy height adjustment by using threaded rod and hex nuts
- Material 35 x 2.0 mm (W x T)
- Finish: Electro-zinc plated (EG)



N°	C (mm)	D (mm)	E (mm)	A (mm)
597790	20	8.4	40	30



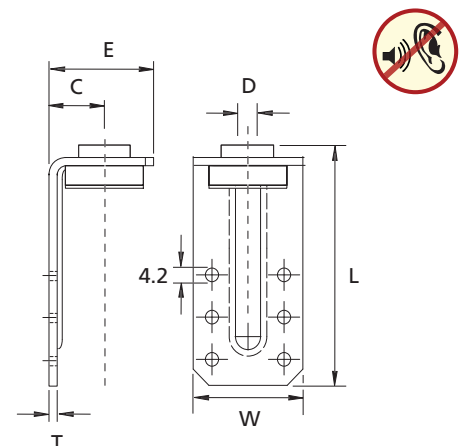
EQLS

Duct fixing bracket L-shaped

- Quick fixing of square ducts
- Supplied with sound reduction mounting compliant with DIN 4109
- Different lengths available for different applications
- Fixing with blind rivets or self drilling screws
- Easy height adjustment by using threaded rod and hex nuts
- Material 35 x 2.0 mm (W x T)
- Finish: Electro-zinc plated (EG)



N°	L (mm)	C (mm)	D (mm)	E (mm)
597791	50	20	8.4	40
597780	85	20	8.4	40
597792	130	20	8.4	40



EQ-ZAB

Duct fixing bracket Z-shaped

- Quick installation of square ducts
- Fixing with blind rivets or self drilling screws
- Easy height adjustment by using threaded rod and hex nuts
- Material 35 x 2.0 mm (W x T)
- Finish: Electro-zinc plated (EG)



Nº	C (mm)	D (mm)	E (mm)	A (mm)
597790	20	11	40	30

