

NEW Products



CPVC PIPE FIXING SO

- Two-hole strap for CPVC pipe
- Support CPVC pipe off of the vertical face of structural or composite wood joists with a minimum of 3/8" web thickness

See page 87



NEW



Page 86

107



Page 86

108



Page 87

109



Page 87

SO

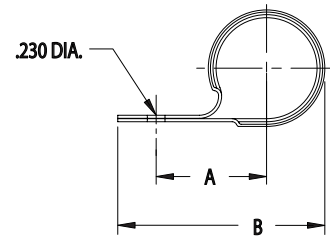
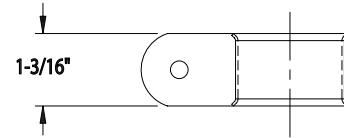


CPVC PIPE FIXINGS 107

One-hole Wrap Around Strap for CPVC Pipe

- Size Range: 3/4" thru 2" CPVC pipe
- Surface Finish: Electro-zinc plated
- Support CPVC pipe horizontally from top or side of beam
- Flared edges protect the CPVC piping

Part Number	Nominal Pipe Size	A	B	Max. Hanger Spacing
1070075EG	3/4"	1-1/4"	2-3/8"	5-1/2'
1070100EG	1"	1-7/16"	2-11/16"	6'
1070125EG	1-1/4"	1-5/8"	3-1/16"	6-1/2'
1070150EG	1-1/2"	1-3/4"	3-5/16"	7'
1070200EG	2"	1-7/8"	3-11/16"	8'

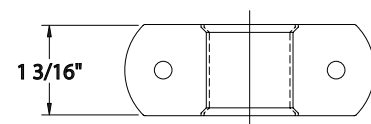
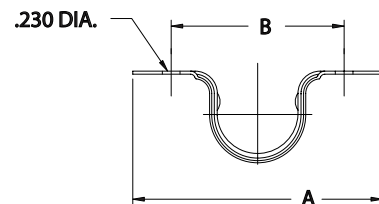


CPVC PIPE FIXINGS 108

Two-hole Strap for CPVC Pipe

- Size Range: 3/4" thru 2" CPVC pipe
- Surface Finish: Electro-zinc plated
- Support CPVC pipe horizontally from top, bottom or side of beam
- Retainer dimples secure hanger to pipe during installation
- Flared edges protect the CPVC piping

Part Number	Nominal Pipe Size	A	B	Max. Hanger Spacing
1080075EG	3/4"	3-1/4"	2-1/4"	5-1/2'
1080100EG	1"	3-1/2"	2-1/2"	6'
1080125EG	1-1/4"	4-1/4"	3-1/4"	6-1/2'
1080150EG	1-1/2"	4-7/16"	3-7/16"	7'
1080200EG	2"	4-15/16"	3-15/16"	8'



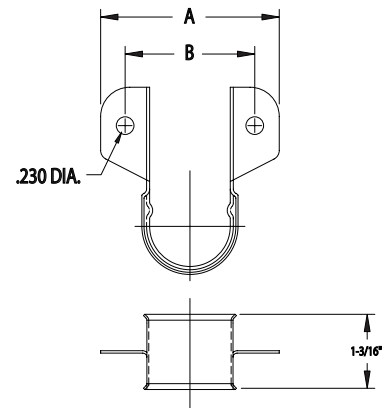
CPVC PIPE FIXINGS 109

Side Mount Strap for CPVC Pipe

- Size Range: 3/4" thru 2" CPVC pipe
- Surface Finish: Electro-zinc plated
- Support CPVC pipe horizontally from top or bottom of beam
- Retainer dimples secure hanger to pipe during installation
- Flared edges protect the CPVC piping



Part Number	Nominal Pipe Size	A	B	Max. Hanger Spacing
1090075EG	3/4"	2-5/16"	1-11/16"	5-1/2'
1090100EG	1"	2-5/8"	1-15/16"	6'
1090125EG	1-1/4"	2-15/16"	2-5/16"	6-1/2'
1090150EG	1-1/2"	3-3/16"	2-1/2"	7'
1090200EG	2"	3-5/8"	3"	8'



CPVC PIPE FIXING SO

Stand-off Two-hole Strap for CPVC Pipe

- Size Range: 3/4" thru 2" CPVC pipe
- Surface Finish: Electro-zinc plated
- Support CPVC pipe off of the vertical face of structural or composite wood joists with a minimum of 3/8" web thickness
- Flared edges protect the CPVC piping



Part Number	Nominal Pipe Size	A	B	Max. Hanger Spacing
SO12A	3/4"	2-11/16"	3-1/4"	5-1/2'
SO16A	1"	2-15/16"	3-1/4"	6'
SO20A	1-1/4"	3-5/16"	3-1/4"	6-1/2'
SO24A	1-1/2"	3-9/16"	4-1/2"	7'
SO32A	2"	4-1/16"	5"	8'

