



Page 210

105



Page 211

406



Page 212

305



Page 213

150



Page 214

OD



Page 215

RIGD



SWIVEL LOOP HANGER 105

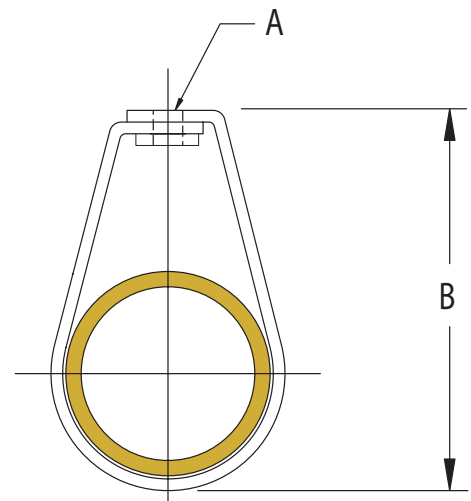
304 Stainless Steel Band Hanger

- Size Range: 1/2" through 8"
- Recommended for the suspension of stationary stainless steel pipe lines
- Conforms with Federal Specification WW-H-171 (Type 10), Manufacturers Standardization Society (MSS) SP-58 and SP-69 (Type 10)



NOTE: Swivel nut not furnished with hanger.
Stainless steel hex nuts recommended for use with hanger

Part Number	Nominal Pipe Size	A	B	Max. Rec. Load (lbs.)
1050050S4	1/2"	7/16"	2-3/16"	610
1050075S4	3/4"	7/16"	3-1/16"	610
1050100S4	1"	7/16"	3-5/16"	610
1050125S4	1-1/4"	7/16"	3-5/8"	610
1050150S4	1-1/2"	7/16"	4"	610
1050200S4	2"	7/16"	4-3/8"	610
1050250S4	2-1/2"	9/16"	4-7/8"	970
1050300S4	3"	9/16"	5-1/2"	970
1050350S4	3-1/2"	9/16"	6"	970
1050400S4	4"	11/16"	6-1/2"	1250
1050500S4	5"	11/16"	7-9/16"	1250
1050600S4	6"	13/16"	8-5/8"	1600
1050800S4	8"	13/16"	10-5/8"	1800



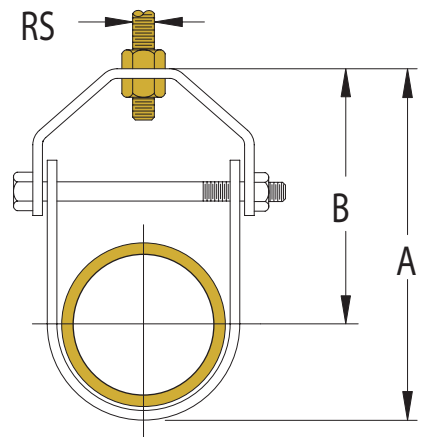
CLEVIS HANGER 406

Standard Duty 304 Stainless Steel

- Size Range: 1/2" through 24"
- Recommended for the suspension of stationary non-insulated stainless steel pipe lines
- Conforms with Federal Specification WW-H-171 (Type 1), Manufacturers Standardization Society (MSS) SP-58 and SP-69 (Type 1)



Part Number	Nominal Pipe Size	RS	A	B	Max. Rec. Load (lbs.)
4060050S4	1/2"	3/8	2-1/8"	1-5/8"	610
4060075S4	3/4"	3/8	2-3/8"	1-3/4"	610
4060100S4	1"	3/8	2-3/4"	2-1/16"	610
4060125S4	1-1/4"	3/8	3-5/16"	2-3/8"	610
4060150S4	1-1/2"	3/8	3-15/16"	2-15/16"	610
4060200S4	2"	3/8	4-1/2"	3-1/4"	610
4060250S4	2-1/2"	1/2	5-1/4"	3-1/4"	1130
4060300S4	3"	1/2	6"	4-1/8"	1130
4060350S4	3-1/2"	1/2	6-1/2"	4-7/16"	1130
4060400S4	4"	5/8	7-3/4"	5-3/8"	1130
4060500S4	5"	5/8	9-3/4"	6-13/16"	1430
4060600S4	6"	3/4	11-3/4"	8-1/4"	1940
4060800S4	8"	3/4	14"	9-1/2"	2000
4061000S4	10"	7/8	16-1/2"	10-7/8"	3600
4061200S4	12"	7/8	18-5/8"	12"	3800
4061400S4	14"	1	21-3/4"	14-1/2"	4200
4061600S4	16"	1	24"	15-3/4"	4600
4061800S4	18"	1-1/8	26-3/4"	17-1/2"	4800
4062000S4	20"	1-1/4	30"	19-5/8"	4800
4062400S4	24"	1-1/4	34-1/8"	21-3/4"	4800



BEAM CLAMP 305

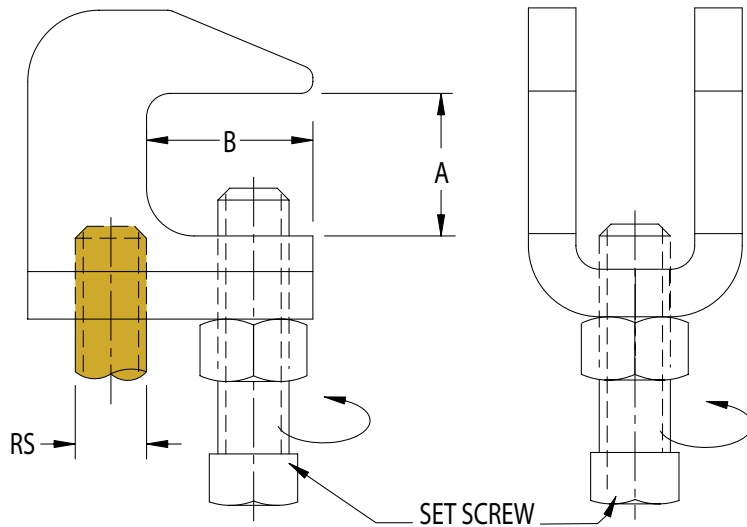
316 Stainless Steel Top Mount Beam Clamp

- Size Range: 3/8" and 1/2" rod sizes
- Structural attachment to top flange of metal beams, purlins, channel, or angle iron where the flange thickness does not exceed 5/8"
- Conforms with Federal Specification WW-H-171 (Type 23), Manufacturers Standardization Society ANSI/MSS-SP-58 (Type 19 & 23), install in accordance with ANSI/MSS-SP-69



NOTE: Set screw must be tightened and torqued to 60-inch pounds onto the sloped side of the I-beam, channel, or angle iron flange.

Part Number	RS	A	B	Set Screw	Max. Rec. Load (lbs.)
3050037S6	3/8"	3/4"	7/8"	3/8"	500
3050050S6	1/2"	3/4"	7/8"	3/8"	1130



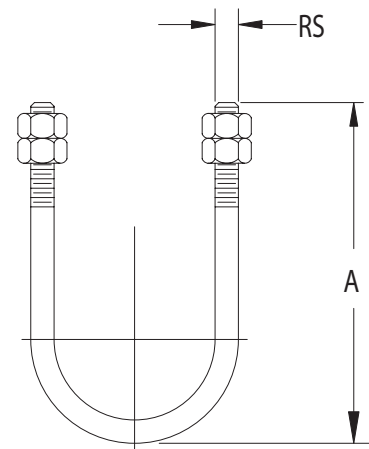
PIPE FIXINGS 150

304 Stainless Steel Standard U-bolt

- Size Range: 1/2" through 18"
- Pipe support for general piping applications
- Comes with two nuts installed on each end of U-bolt



Part Number	Nominal Pipe Size	RS	A	Max. Rec. Load (lbs.)
150M0050S4	1/2"	1/4"	3-1/2"	435
150M0075S4	3/4"	1/4"	3-9/16"	435
150M0100S4	1"	1/4"	3-11/16"	435
150M0125S4	1-1/4"	3/8"	4-1/8"	1090
150M0150S4	1-1/2"	3/8"	4-5/16"	1090
150M0200S4	2"	3/8"	4-13/16"	1090
150M0250S4	2-1/2"	1/2"	5-3/4"	2020
150M0300S4	3"	1/2"	6-5/16"	2020
150M0400S4	4"	1/2"	7-5/16"	2020
150M0500S4	5"	1/2"	8-5/16"	2020
150M0600S4	6"	5/8"	10-1/8"	3230
150M0800S4	8"	5/8"	12-1/8"	3230
150M1000S4	10"	3/4"	14-9/16"	4830
150M1200S4	12"	7/8"	16-15/16"	6730
150M1400S4	14"	7/8"	18-3/16"	6730
150M1600S4	16"	7/8"	20-3/16"	6730
150M1800S4	18"	1"	22-11/16"	8850



STRUT PIPE CLAMPS OD

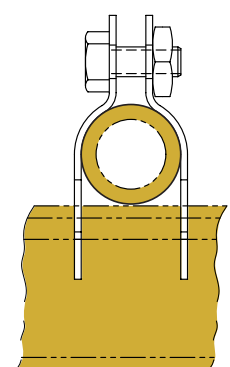
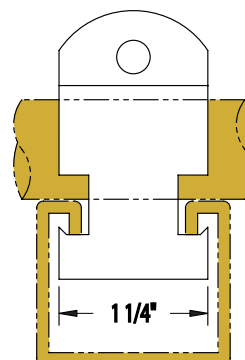
304 Stainless Steel Four-piece Strut Clamps

- Size Range: 1/4" thru 8-5/8"
- Other sizes available upon request
- Four-piece design includes slotted hex head machine screw and square nut



Part Number	OD Size (in)	Strap GA	Max. Rec. Load (lbs.)
OD0025S4	1/4"	17GA	400
OD0037S4	3/8"	17GA	400
OD0050S4	1/2"	17GA	400
OD0062S4	5/8"	17GA	400
OD0075S4	3/4"	17GA	400
OD0087S4	7/8"	17GA	400
OD0100S4	1"	15GA	600
OD0112S4	1-1/8"	15GA	600
OD0125S4	1-1/4"	15GA	600
OD0137S4	1-3/8"	15GA	600
OD0150S4	1-1/2"	15GA	600
OD0162S4	1-5/8"	15GA	600
OD0175S4	1-3/4"	13GA	800
OD0187S4	1-7/8"	13GA	800
OD0200S4	2"	13GA	800
OD0212S4	2-1/8"	13GA	800
OD0225S4	2-1/4"	13GA	800
OD0237S4	2-3/8"	13GA	800
OD0250S4	2-1/2"	13GA	800
OD0262S4	2-5/8"	13GA	800
OD0275S4	2-3/4"	13GA	800
OD0287S4	2-7/8"	13GA	800
OD0300S4	3"	13GA	800
OD0312S4	3-1/8"	13GA	800
OD0325S4	3-1/4"	13GA	800
OD0337S4	3-3/8"	13GA	800
OD0350S4	3-1/2"	13GA	1000
OD0362S4	3-5/8"	12GA	1000
OD0375S4	3-3/4"	12GA	1000
OD0387S4	3-7/8"	12GA	1000
OD0400S4	4"	12GA	1000
OD0412S4	4-1/8"	12GA	1000
OD0425S4	4-1/4"	12GA	1000
OD0437S4	4-3/8"	12GA	1000
OD0450S4	4-1/2"	12GA	1000
OD0462S4	4-5/8"	12GA	1000
OD0475S4	4-3/4"	12GA	1000
OD0487S4	4-7/8"	12GA	1000

Part Number	OD Size (in)	Strap GA	Max. Rec. Load (lbs.)
OD0500S4	5"	12GA	1000
OD0512S4	5-1/8"	12GA	1000
OD0525S4	5-1/4"	12GA	1000
OD0537S4	5-3/8"	12GA	1000
OD0550S4	5-1/2"	12GA	1000
OD0562S4	5-5/8"	10GA	1000
OD0575S4	5-3/4"	10GA	1000
OD0587S4	5-7/8"	10GA	1000
OD0600S4	6"	10GA	1000
OD0612S4	6-1/8"	10GA	1000
OD0625S4	6-1/4"	10GA	1000
OD0637S4	6-3/8"	10GA	1000
OD0650S4	6-1/2"	10GA	1000
OD0662S4	6-5/8"	10GA	1000
OD0675S4	6-3/4"	10GA	1000
OD0687S4	6-7/8"	10GA	1000
OD0700S4	7"	10GA	1000
OD0712S4	7-1/8"	10GA	1000
OD0725S4	7-1/4"	10GA	1000
OD0737S4	7-3/8"	10GA	1000
OD0750S4	7-1/2"	10GA	1000
OD0762S4	7-5/8"	10GA	1000
OD0775S4	7-3/4"	10GA	1000
OD0787S4	7-7/8"	10GA	1000
OD0800S4	8"	10GA	1000
OD0812S4	8-1/8"	10GA	1000
OD0825S4	8-1/4"	10GA	1000
OD0837S4	8-3/8"	10GA	1000
OD0850S4	8-1/2"	10GA	1000
OD0862S4	8-5/8"	10GA	1000



STRUT PIPE CLAMPS RIGD

304 Stainless Steel Heavy Duty Strut Clamps

- Size Range: 3/8" thru 8"
- 1-piece break apart design (1/2" thru 4" pipe size) includes captive combo head machine screw and built in nut (thread impression)



Part Number	Nominal Pipe Size	O.D.	Screw GA	Max. Rec. Load (lbs.)
RIGD0037S4	3/8"	.675"	17 GA	400
RIGD0050S4	1/2"	.840"	14 GA	400
RIGD0075S4	3/4"	1.050"	14 GA	600
RIGD0100S4	1"	1.315"	14 GA	600
RIGD0125S4	1-1/4"	1.660"	14 GA	600
RIGD0150S4	1-1/2"	1.900"	12 GA	800
RIGD0200S4	2"	2.375"	12 GA	800
RIGD0250S4	2-1/2"	2.875"	12 GA	800
RIGD0300S4	3"	3.500"	12 GA	800
RIGD0350S4	3-1/2"	4.000"	11 GA	1000
RIGD0400S4	4"	4.500"	11 GA	1000
RIGD0500S4	5"	5.563"	12 GA	1000
RIGD0600S4	6"	6.625"	10 GA	1000
RIGD0800S4	8"	8.625"	10 GA	1000

