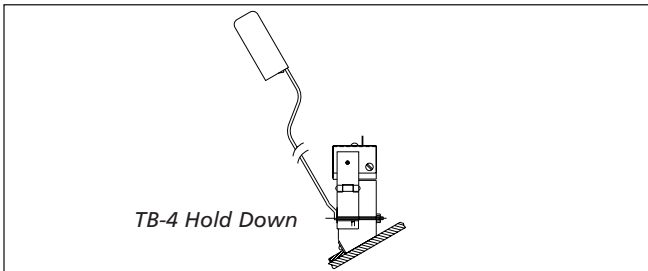


# CADWELD® BONDING PRODUCTS

## WELDERS AND MOLDS

Frog and Special Track Work

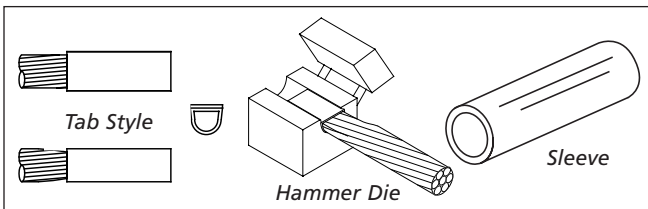


Terminal Style	TB-4 Welder		Replacement Mold
	Hold Down	Frame Only	
3/16" Dia.	SBXSTB4A SBTBTB4B SBTBTB4C SBTBTB4D	B323L	SBB343A
3/4" XS		B323L	SBB343B
3/4" Tab		B323L	SBB343C
1" Tab		B323L	SBB343D
1-1/2" Tab		B323L	
5/16" Dia.	SBTBTB4E	B323L	SBB343E
1" Tab			

(Not to be used on base of load bearing rail)

## FIELD MADE BONDS

Tab-Style Terminals



Cable Size	Terminal Length	Sleeves		Hammer Dies	Welding Material	
		Part Number	Std. Pkg.	Part Number	Part Number	Std. Pkg.
#6 Sol	1"	SBS10	100	NA	SB25	50
3/16"	3/4"	SBS11C	100	SBD50	SB25	50
	1"	SBS12C	100			
	1-1/2"	SBS13C	100			
5/16"	1"	SBS09C	100	SBD51	SB32	50

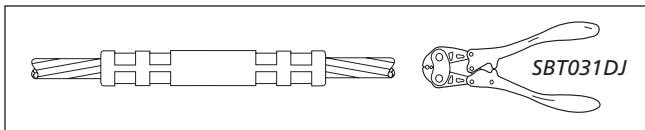
Cable - supplied by ERICO® in 3/16" and 5/16" copper alloy stranded signal cable (bare) and 3/16" signal cable with 4/64" and 6/64" PVC insulation. Available in 100' coils, 500' and 1000' reels. See page 17.

# MECHANICAL CONNECTORS

## ASSOCIATED MATERIAL

Sleeves - Compression Type

Standard Package 100

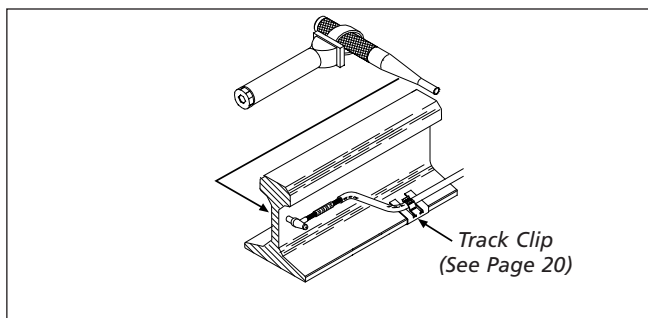


Part Number	3/16" Bond Strand To: Description
A2314J	#9 solid or #10 str
A2364J	#8 solid or #9 str
A2363J	#6 solid or #8 str
A2367J	#3/16" or #6 str
A2412J	1/4" Binding Post, Lug
SBT031DJ	Compression Tool

## No-Oxide Grease

Part Number	Description
T369	1 ounce tube

## Bond Removal Punch

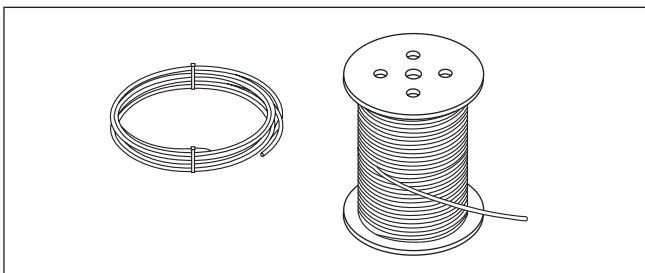


Part Number	Description
SBT382B	Punch Only
SBT408	Plastic Handle Only
SBT382BWH	Punch w/Handle
SBT382BWP	Punch w/Plastic Handle

# MECHANICAL CONNECTORS

## RELATED MATERIALS

### Bond Strand



Part Number			Description
100' Coil	500' Reel	1000' Reel	
SBS8CINSUL	SBS8LINSUL	SBS8INSUL	S-8, 3/16", Black 4/64 PVC
SBS8CINORG	SBS8LINSORG	SBS8INORG	S-8, 3/16", Orange 4/64 PVC
SBS8TCINS	SBS8TDINSUL	SBS8TINSUL	S-8, 3/16" Tinned, Black 4/64 PVC
SBS8TCINS664	SBS8TLINS664		S-8, 3/16" Tinned, Black 6/64 PVC
SBS8TCINSRD		SBS8TINSRD	S-8, 3/16" Tinned, Red 6/64 PVC
SBS8CBARE SBS17CBARE	SBS8LBARE	SBS8BARE	S-8, 3/16", Bare S-17, 5/16", Bare

### Miscellaneous Bonding Items

Part Number	Description	Std. Pkg.
B154A	3/8" Straight head plug terminal	25
B101AA	Lug - 1/16" x 1/2", 1-hole (1/4" stud)	25
SBK012A	1/4" split stud kit	10
SBK012B	1/4" split stud kit	100
SB25	Rail Welding Material	50
SB32	Rail Welding Material	50