

Grinders & Bonding Accessories

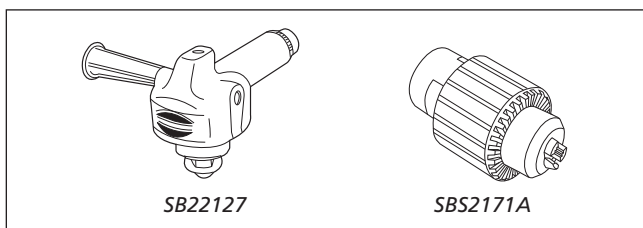
Rail Grinders

Pedestal Rail Grinder (Gas Powered)



Part Number	Description
SBG141	3.5 HP (Briggs & Stratton® I/C) Grinder with 6' Shaft & Housing Base Plate Shaft Adapter Straight Spindle 6" Wheel & Guard Dressing Stone

SBG141 Drill Attachment Parts

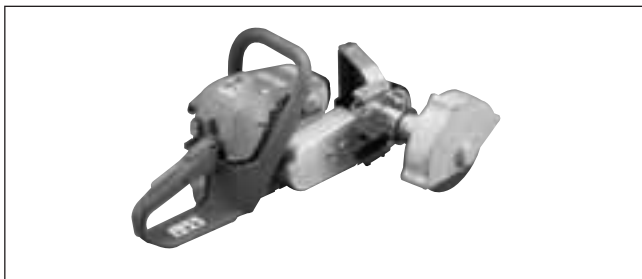


Part Number	Description
SBL165	Drill Attachment – complete with angle spindle & drill chuck
SBL165SA	Drill Attachment – Frame Only
SB22127	Angle spindle – 10:1 ratio
SB22127A	Replacement gear kit for Angle spindle
SBS2171A	Drill chuck – 1/8" to 5/8" key type
SBS2171AK	Drill chuck key
SBT385B	3/8" Bonding bit / round shank

Grinders & Bonding Accessories

Rail Grinders

Portable Grinder (2 cycle gasoline powered)

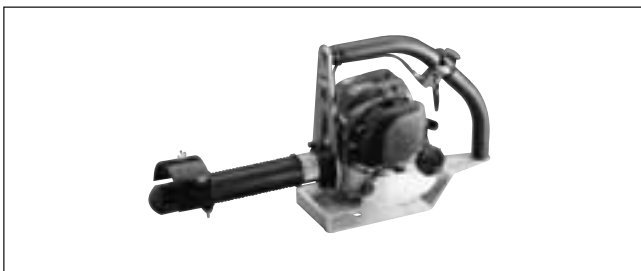


Part Number	Description
SBG150	Rail Grinder – 39cc, 6,000 rpm, 18 lbs.
SBG150WC	Rail Grinder with Storage Case
SBS2333	6" Grinding Wheel – 3/4" original replacement
SB22122	6" Grinding Wheel – 1" replacement
S2129	6" Beveled Grinding Wheel – Head Free Rail
SBK104	Slotting Wheel Kit – Includes 6" x 1/8" slotting wheel, spacer, depth gauge, insulation
22128	6" Slotting Wheel with mounting spacer
22128P	6" Slotting Wheel
SBT365	Silicon Rubber Insulation – 3 oz tube

Grinders & Bonding Accessories

Rail Grinders

Portable Grinder (4 cycle gasoline powered)



Part Number	Description
SBG200	Rail Grinder – 1.1 hp, 10,500 rpm, 13 lbs.
SBG20015	Cup Style Wheel for SBG200
SBG20018	Plug Style Wheel for SBG200
SBG200COFF	Cutting Adapter, Guard, and Cutting Wheel
SBG20027	Cutting Wheel replacement (std. package of 5)

Portable Grinder (battery powered)

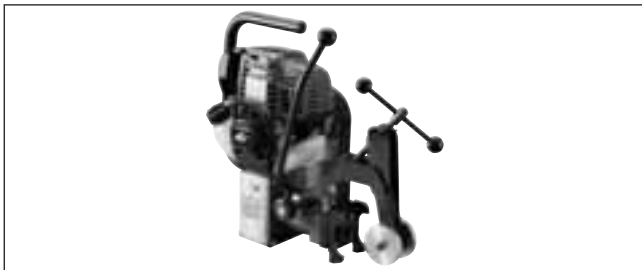


Part Number	Description
SBG100	Rail Grinder, 18 volt, 6,500 rpm, 7 lbs
SBG20025	Cleaning Wheel, 4.5" x .25" Depressed center, designed for right angle use (std. package of 5)
SBG20027	Cutting Wheel, Disk type, 4.5" x .08" (std. package of 5)
SBG20046	Cleaning and Cutting Wheel, Depressed center, designed for right angle use (std. package of 5)

Grinders & Drilling Machines

Rail Drilling Machines

Portable Drilling Machine
(2 cycle gasoline powered)



Part Number	Description
715685	Rail Drilling Machine SBV-VS, 28 lbs for drill hole dia. 3/8" up to 1-3/8", 267 rpm

Portable Drilling Machine
(quiet 4 cycle gasoline powered)

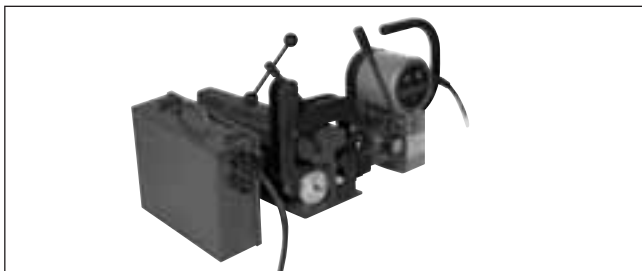


Part Number	Description
715412	Rail Drilling Machine SBV-V4, 28 lbs for drill hole dia. 3/8" up to 7/8", 267 rpm

Grinders & Drilling Machines

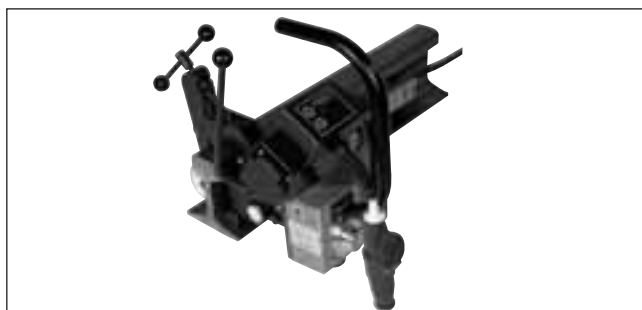
Rail Drilling Machines

Portable Drilling Machine
(battery powered)



Part Number	Description
715400	Rail Drilling Machine SBM-E391, 28 lbs, 48V for drill hole dia. 3/8" up to 7/8", 390 rpm

Portable Drilling Machine
(AC electric powered)



Part Number	Description
715404	Rail Drilling Machine SBM-E230, 28 lbs for drill hole dia. 3/8" up to 1-3/8", 280 rpm, requires 220/230V AC

Grinders & Drilling Machines

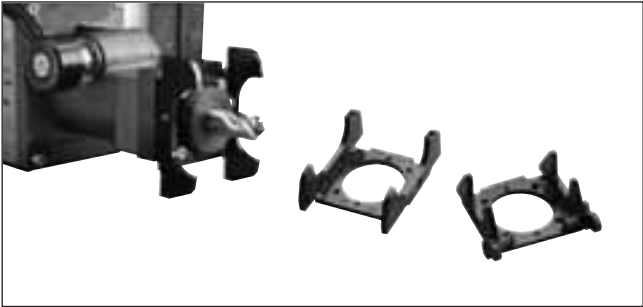
Rail Drilling Machines

Clamping Devices



Part Number	Description
715360	BSK1 head clamping for normal rails, 7 lbs.
715370	BSK2 head clamping for grooved rails, 9 lbs.
715380	BSF1 rail foot clamping device, 9 lbs.

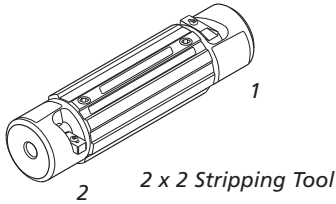
Rail Drilling Accessories



Part Number	Description
716207	Rail Drilling Template 90 LB, 2.58 in.
716204	Rail Drilling Template 100 LB, 2.63 in.
716203	Rail Drilling Template 115 LB, 2.98 in.
716211	Rail Drilling Template 132 RE, 3.20 in.
716212	Rail Drilling Template 136 LB, 3.36 in.
716213	Rail Drilling Template 141 AB, 3.47 in.
XXXXXX	Other Drilling Templates available on request
715075	Drilling Coolant Concentrate, 2.64 gal. (10 ltr.)
715375	Coolant Tank & Pump

Tools & Bonding Accessories

Stripping Tools 2 x 2



Part Number	Description	
	Bushing 1	Bushing 2
SBRT36100106	3/16" Bond Strand, 4/64" Insulation	#6 Solid, Concentric 8/64" Insulation
SBRT36100134	3/16" Bond Strand, 6/64" Insulation	#6 Concentric, 5/64" Insulation
SBRT36100135	3/16" Bond Strand, 4/64" Insulation	#9 Solid, 10/64" Insulation
SBRT36100136	3/16" Bond Strand, 4/64" Insulation	3/16" Bond Strand, 6/64" Insulation
SBRT36100138	3/16" Bond Strand, 6/64" Insulation	#6 Solid, Concentric 8/64" Insulation
SBRT36100139	3/16" Bond Strand, 4/64" Insulation	#6 Solid, 11/64" Insulation
SBRT36100140	3/16" Bond Strand, 6/64" Insulation	#6 Solid, 11/64" Insulation
SBRT36100142	#6 Solid, 1/64" Insulation	#6 Solid, 12/64" Insulation
SBRT36100147	3 Conductor, 6/64" Insulation	#6 Solid, 6/64" Insulation
SBRT36100148	7 Conductor, 6/64" Insulation	#9 Solid, 6/64" Insulation
SBRT36100149	3/16" Bond Strand, 6/64" Insulation	#6 Solid, 7/64" Insulation
SBRT36100150	5 Conductor, 6/64" Insulation	#9 Solid, 6/64" Insulation
SBRT36100152	10 Conductor, 6/64" Insulation	12 Conductor, 6/64" Insulation
SBRT36100177	3/16" Bond Strand, 4/64" Insulation	#6 Solid, 12/64" Insulation

Blades

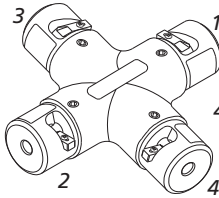
Part Number	Description
SBRTCB6667	Replacement Blades-Pkg of 5

Accessory

Part Number	Description
SBRT36024	2 x 2 Tool Driver Adapter

Tools & Bonding Accessories

Stripping Tools 4 x 4



4 x 4 Stripping Tool

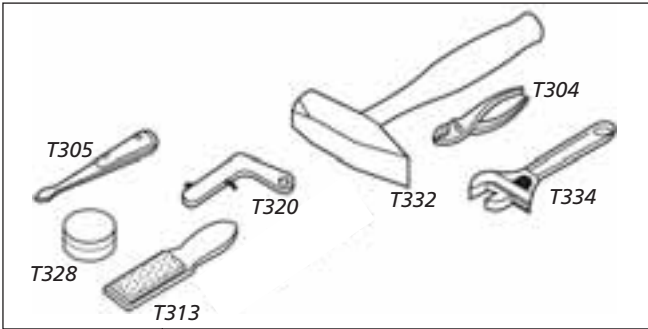
Part Number	Description	
	Bushing 1	Bushing 2
SBRT36000906	3/16" Bond Strand, 4/64" Insulation	#6 Solid, 11/64" Insulation
SBRT36000907	3/16" Bond Strand, 4/64" Insulation	#6 Solid, 11/64" Insulation
SBRT360001004	3/16" Bond Strand, 4/64" Insulation	#6 Solid, 11/64" Insulation
SBRT360001010	3/16" Bond Strand, 6/64" Insulation	3/16" Bond Strand, 6/64" Insulation
	Bushing 3	Bushing 4
SBRT36000906	#6 Solid, 12/64" Insulation	#9 Solid, 10/64" Insulation
SBRT36000907	#6 Solid, 12/64" Insulation	2/0 Ropelay, 6/64" Insulation
SBRT360001004	#6 Solid, 12/64" Insulation	3/16" Bond Strand, 6/64" Insulation
SBRT360001010	#6 Solid, 11/64" Insulation	#6 Solid, 12/64" Insulation

Replacement & Additional Bushings

Part Number	Description
SBRT1034048	3/16" Bond Strand, 4/64 Insul.
SBRT1040075	3/16" Bond Strand, 6/64 Insul.
SBRT1037590	#6 Solid, 7/64" Insulation
SBRT10450110	#6 Solid, Concentric 8/64" Insul.
SBRT10515145	#6 Solid, 11/64" Insulation
SBRT10550162	#6 Solid, 12/64" Insulation
SBRT1030075	#9 Solid, 6/64" Insulation
SBRT10430135	#9 Solid, 10/64" Insulation
SBRT1036060	#6 Concentric, 5/64" Insulation
SBRT11102575	3 Conductor, 6/64" Insulation
SBRT11100075	5 Conductor, 6/64" Insulation
SBRT11105075	7 Conductor, 6/64" Insulation
SBRT1187575	10 Conductor, 6/64" Insulation
SBRT1197575	12 Conductor, 6/64" Insulation
SBRT1067575	2/0 Ropelay, 6/64" Insulation

Tools & Bonding Accessories

Miscellaneous Tools



Part Number	Description
T304	Slip Joint Pliers
T305	Screw Driver
T313	Card Cloth Brush
T320	Flint Ignitor
T320A	Replacement Flints (10 each/package)
T328	Disk Container
T332	Engineers Hammer, 3 lb. size
T334	Adjustable 6" Wrench for Welder
SBB394C SBA127A	T-34 Rail Head and Web Cleaner, One Universal Tool Replacement Cutting Disk for T-34
B136D T403	Mold Cleaner Mold Sealer - 2 Pound Tub
B32130	Flint Ignitor Extension (30")

Flint Ignitor Extension

