

MECHANICAL CONNECTORS

BONDS

Plug Bonds

Standard Package 50

Specify bond length as a suffix to part number (XX), i.e., SBPAJA24 is an S-1 cable type, 24" long.



Part Number	Cable Type AREMA® Drawing 8.1.25-#1	Description	Bare Dia. Inches
SBPAJA "XX"	S-1	1 Copper, 6 Galvanized Steel	0.3270
SBPAJB "XX"	S-5	3 Copper, 16 Galvanized Steel	0.3300
SBPAJC "XX"	7-#10	7-40% Copperweld®	0.3060
SBPAJD "XX"	7-#12	7-40% Copperweld	0.2430
SBPAJ3 "XX"	S-8	133 Cadmium Bronze	0.1875
SBPAJR "XX"	S-8 Insul	133 Cadmium Bronze w/ 4/64" PVC Insulation	0.1875
SBPAJG "XX"	S-12	42 Cadmium Bronze, 91 Hard Drawn Stain, Steel	0.2510
AREMA Drawing 8.1.25-#2			
SBPAJP "XX"	DS-1		
SBPAJN "XX"	14-#12		

XX= Lengths 24, 30, 34, 36, 42, 48, 60, 72, and 96.

ERICO® Plug Bonds are designed for application to the rail web. Plug bonds are hammered into a 3/8" diameter hole drilled through the rail web (driven from same side hole was drilled).

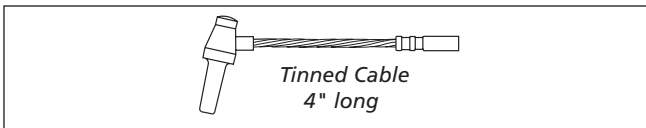
This recommended method of installation requires a bond 12 inches longer than the splice bar.

MECHANICAL CONNECTORS

BONDS

Track Connectors "Chicken Heads"

Standard Package 200



Part Number	Cable	Connector
SBPAC3A	3/16"	3/16" - #6 str
SBPAC3G		#8 str/#6sol
SBPAC3R		#9 str/#8sol
SBPAC3Y		#10 str/#9sol
SBPAW35		3/8" tapered plug
SBPACGBJ4	5/16"	3/16" - #6 str

The ERICO® Track Connector is used when bond strand is being utilized for track connections, fouling circuits, and even bonding around the splice bar. The plug terminal is hammered into a 3/8" diameter hole drilled through the rail web (driven from same side hole was drilled).

Compression Tool (SBT031DJ) sold separately. See page 16.



Multi-Purpose Bonds

Standard Package 48



Part Number	Cable Type
SBPMJ3 "X"	Bare - 3/16" S-8
SBPMJR "X"	Black Insul. - 3/16" S-8
SBPMJS "X"	Orange Insul. - 3/16" S-8

Substitute length for "X" (10", 12", or 14")

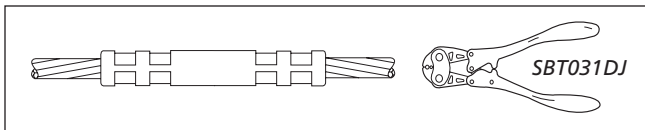
The ERICO Multi-Purpose Bond is used when a standard plug bond cannot be installed from the field side of rail due to tight areas such as frogs and switches.

MECHANICAL CONNECTORS

ASSOCIATED MATERIAL

Sleeves - Compression Type

Standard Package 100

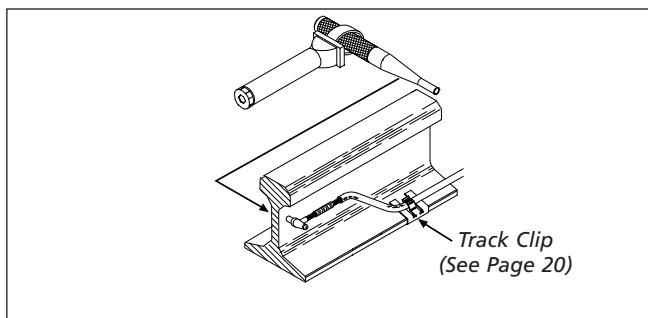


Part Number	3/16" Bond Strand To: Description
A2314J	#9 solid or #10 str
A2364J	#8 solid or #9 str
A2363J	#6 solid or #8 str
A2367J	#3/16" or #6 str
A2412J	1/4" Binding Post, Lug
SBT031DJ	Compression Tool

No-Oxide Grease

Part Number	Description
T369	1 ounce tube

Bond Removal Punch



Part Number	Description
SBT382B	Punch Only
SBT408	Plastic Handle Only
SBT382BWH	Punch w/Handle
SBT382BWP	Punch w/Plastic Handle