

PART NO.	FIG NO.	"A" 6" LOOP	"B" 4" LOOP	"C"	"D"	"E"	"F"	Ø"G"	Ø"H"
CAT425	FIG. "A"	9 1/2"	7"	5"	7 1/8"	1 3/8"	13/16"	9/32"	9/32"
CAT425A6	FIG. "A"	9 1/2"	7"	5"	7 1/8"	1 3/8"	13/16"	9/32"	25/64"
CAT425WM	FIG. "B"	10 3/8"	7 7/8"	5"	7 1/8"	1 3/8"	1/4"	9/32"	9/32"

WHEN ASSEMBLED USING THE 6" LOOP, THE CAT425 WILL HOLD UP TO 425 4PR UTP  
WHEN ASSEMBLED USING HTE 4" LOOP, THE CAT425 WILL HOLD UP TO 220 4PR UTP

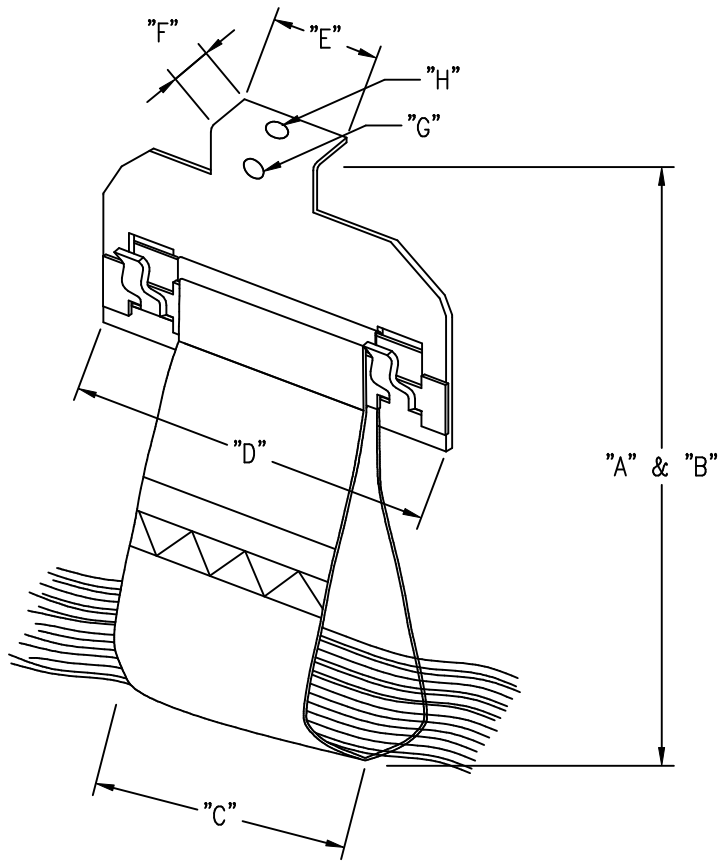


FIG. "A"

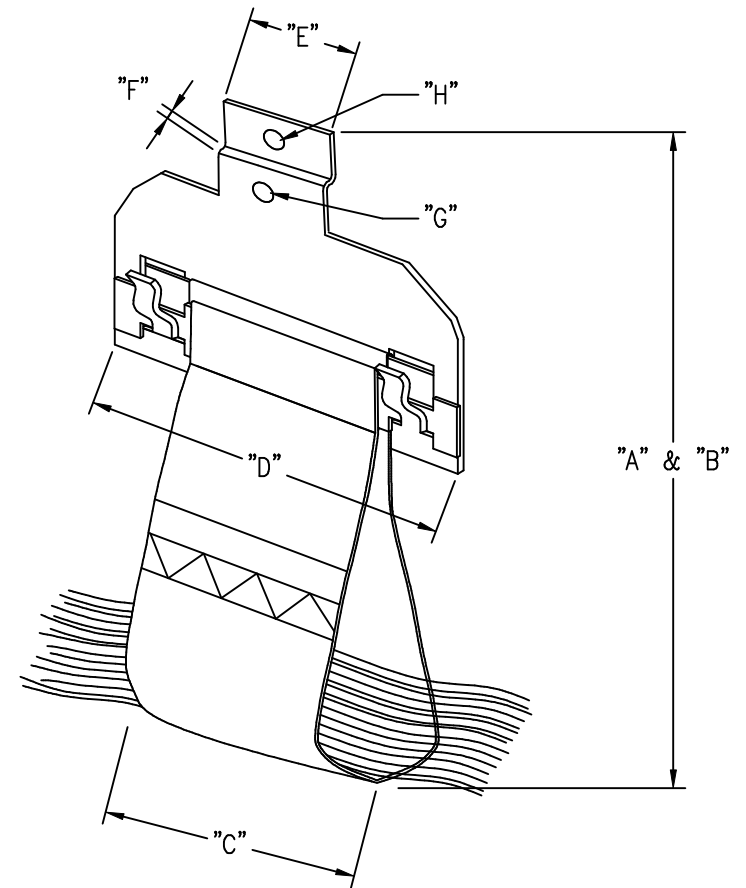


FIG. "B"

PART NO.	FIG.	"A" 6" LOOP	"B" 4" LOOP	"C"	"D"	"E"	"F"	G"
CAT425BC200	FIG. "A"	11 3/16"	8 11/16"	5"	7 1/8"	1 3/8"	13/16"	7/8"
CAT425BC	FIG. "B"	11 1/16"	8 9/16"	5"	7 1/8"	1 3/8"	1 1/8"	5/8"

WHEN ASSEMBLED USING THE 6" LOOP, THE CAT425 WILL HOLD UP TO 425 4PR UTP  
WHEN ASSEMBLED USING HTE 4" LOOP, THE CAT425 WILL HOLD UP TO 220 4PR UTP

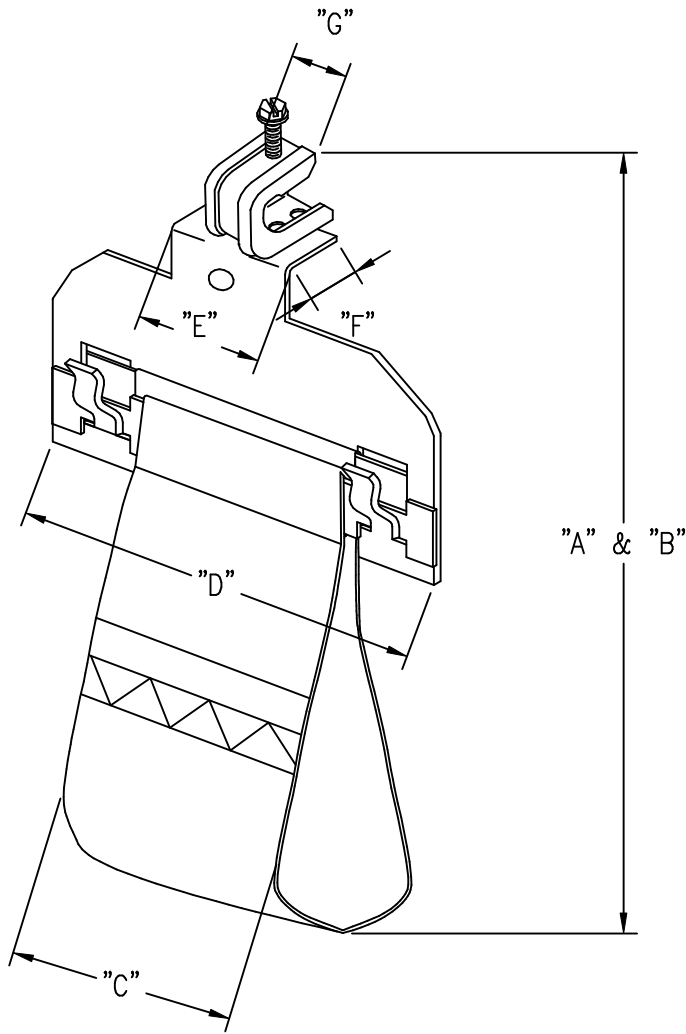


FIG. "A"

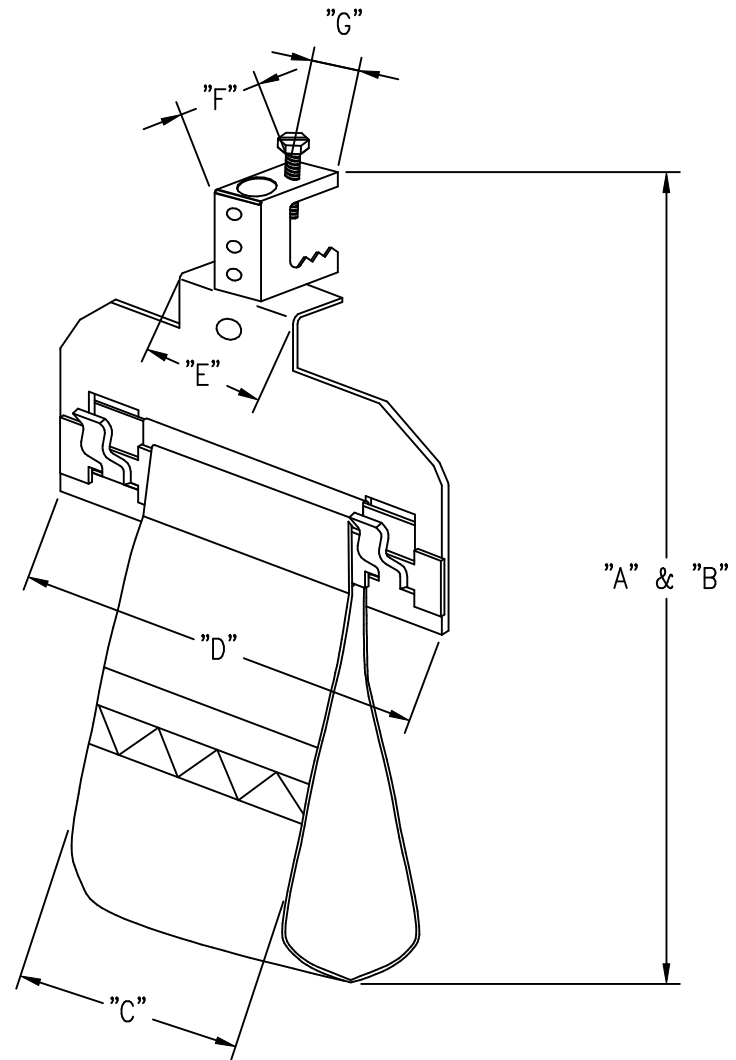


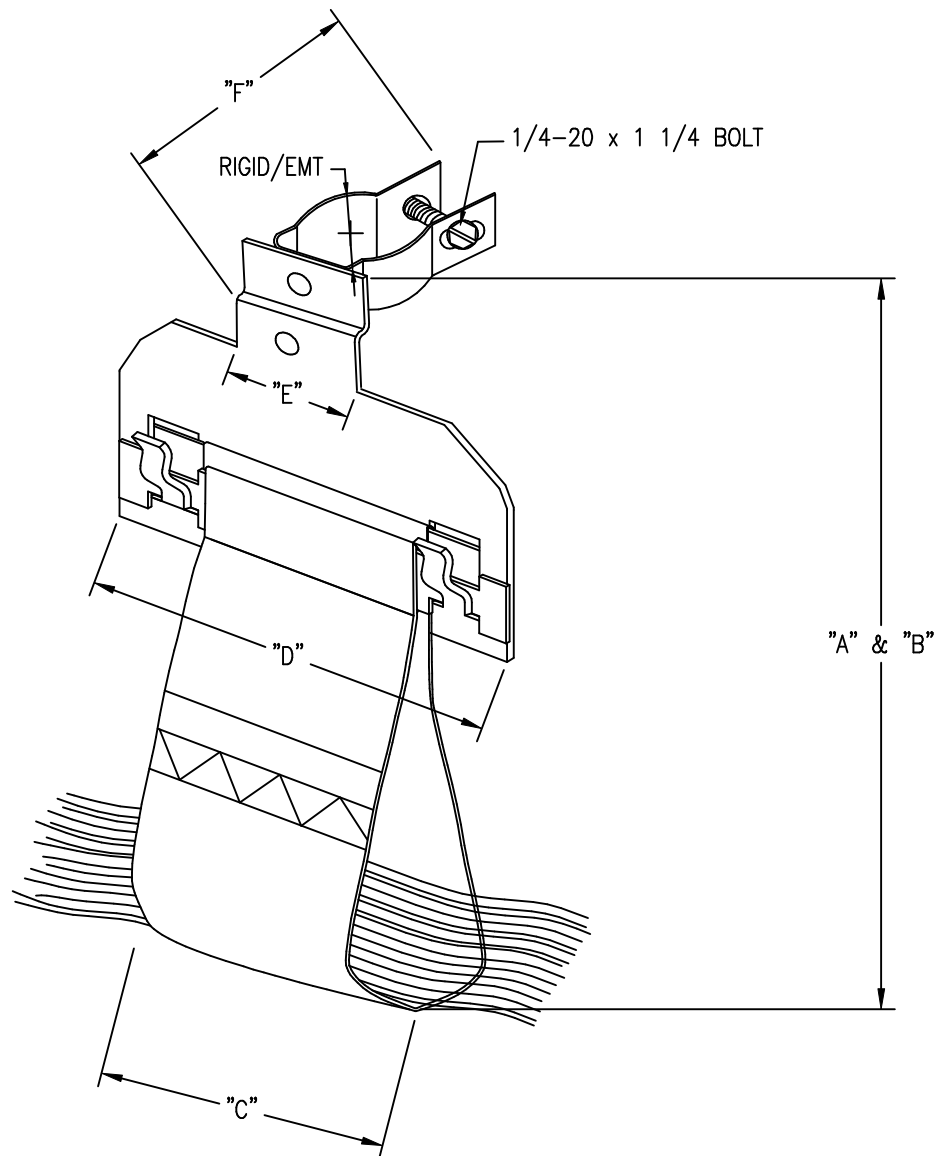
FIG. "B"

PART NO.	"A" 6" LOOP	"B" 4" LOOP	"C"	"D"	"E"	"F"	G"	RIGID/EMT*
CAT425WMCD1B	10 3/8"	7 1/8"	5"	7 1/8"	1 3/8"	2 1/2"	7/8"	ø3/4"

\*WILL ALSO ACCOMMODATE 3/4" TO 1" SQUARE PEDESTAL  
AND 3/4" TO 1 1/8" ROUND PEDESTAL

WHEN ASSEMBLED USING THE 6" LOOP, THE CAT425 WILL HOLD UP TO 425 4PR UTP

WHEN ASSEMBLED USING THE 4" LOOP, THE CAT425 WILL HOLD UP TO 220 4PR UTP



PART NO.	FIG.	"A" 6" LOOP	"B" 4" LOOP	"C"	"D"	"E"	"F"	"G"
CAT425VF14	FIG. "A"	12 1/2"	10"	5"	7 1/8"	13/16"	1 3/8"	1"
CAT425AF14	FIG. "B"	11 13/16"	9 5/16"	5"	7 1/8"	13/16"	1 3/8"	1"

WHEN ASSEMBLED USING THE 6" LOOP, THE CAT425 WILL HOLD UP TO 425 4PR UTP  
WHEN ASSEMBLED USING THE 4" LOOP, THE CAT425 WILL HOLD UP TO 220 4PR UTP

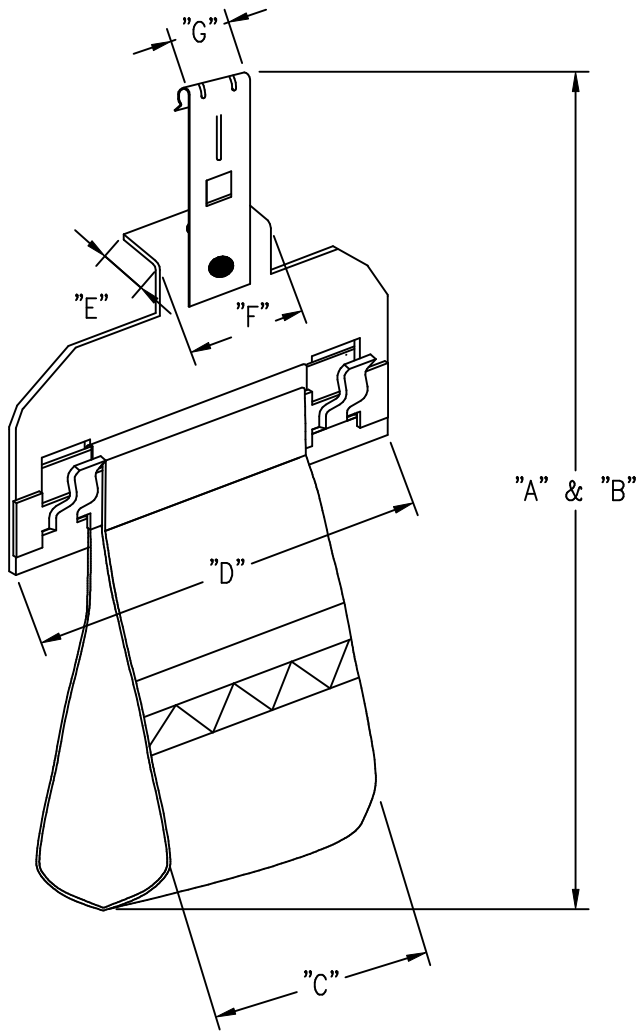


FIG. "A"

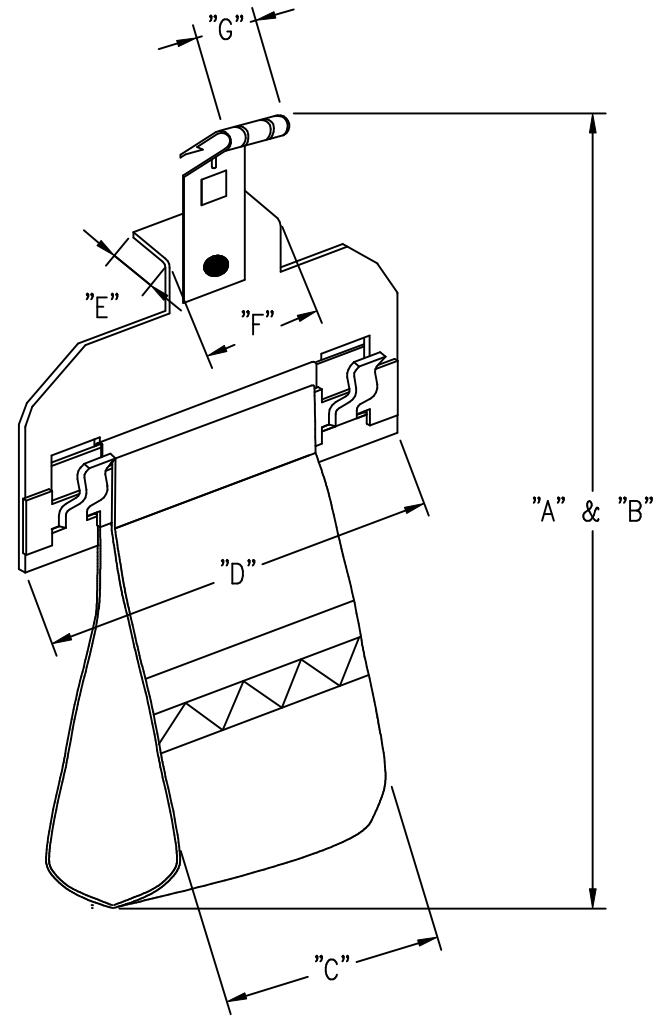


FIG. "B"

PART NO.	"A" 6" LOOP	"B" 4" LOOP	"C"	"D"	"E"	"F"	"G"
CAT42524SM	10 3/16"	7 11/16"	5"	7 1/8"	1 3/8"	13/16"	1 1/4"
CAT42558SM	10 7/16"	7 15/16"	5"	7 1/8"	1 3/8"	13/16"	1 1/4"
CAT425912SM	10 3/4"	8 1/4"	5"	7 1/8"	1 3/8"	13/16"	1 1/4"

WHEN ASSEMBLED USING THE 6" LOOP, THE CAT425 WILL HOLD UP TO 425 4PR UTP  
WHEN ASSEMBLED USING HTE 4" LOOP, THE CAT425 WILL HOLD UP TO 220 4PR UTP

