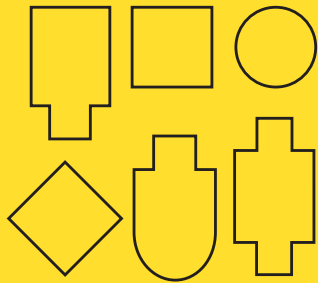
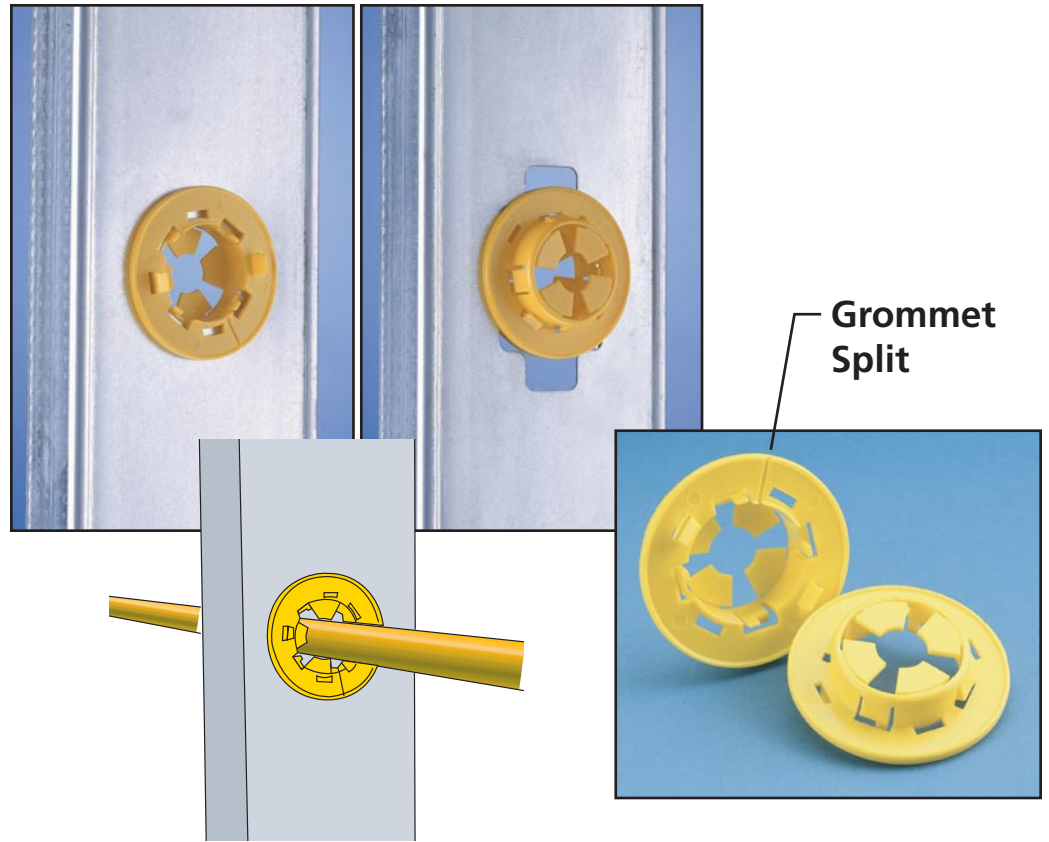


## ESGP Features

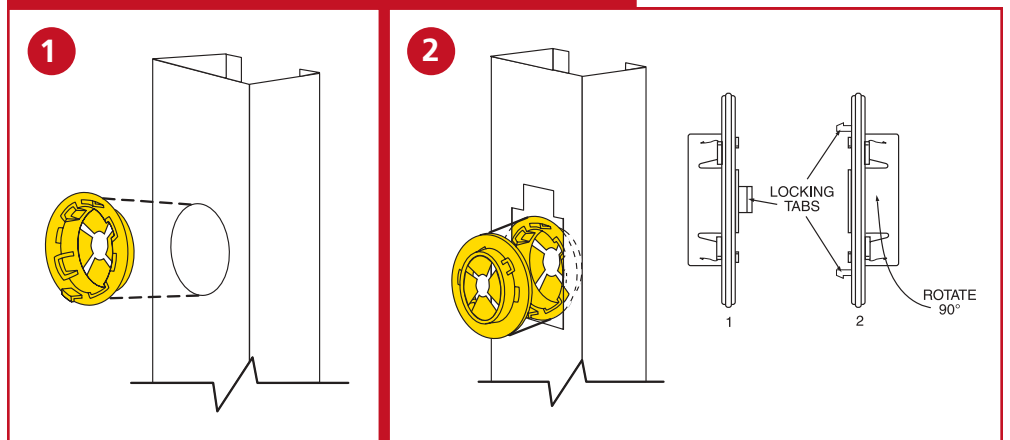
- Easy installation for pre-existing holes
- Fits factory punched holes and field punched holes
- Provides 360° protection of plumbing, fire sprinkler piping/tubing, electrical and low-voltage cabling
- Grommet can be split to allow for installation on pre-existing tube or pipe
- Provides anti-rattle protection



The ESGP fits 1/2", 3/4" and 1" copper tube!  
"Back-to-back" feature allows grommet to fit every metal stud hole.



## Easy Installation Options



1. To install 1/2", 3/4" and 1" copper tube through a 1 1/32" round factory or field punched hole – snap in 1 ESGP.

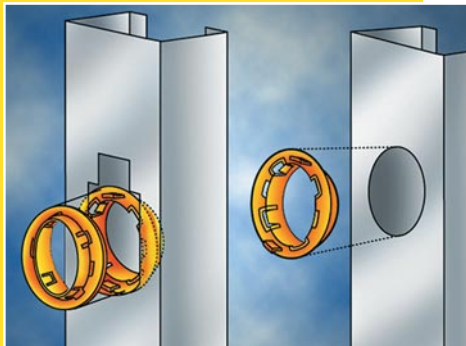
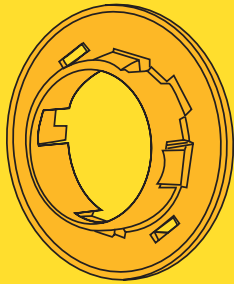
2. To install 1/2", 3/4" or 1" copper tube through any odd shaped factory punched holes – either snap 2 ESGPs back to back and remove the tabs from one, or, snap 1 ESGP and 1 ESG1 back to back.



# Easy Snap Grommet & Metal Stud Punch

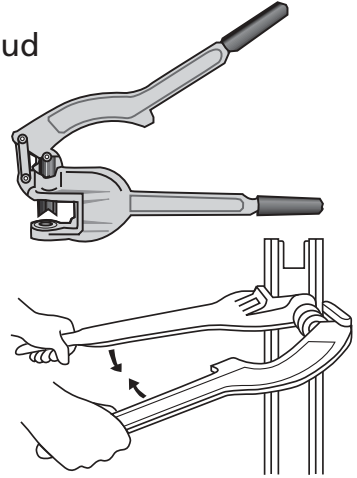
## ESG1 Features

- Snap one grommet into standard field punched hole or snap two together into any shape factory punched hole
- Provides 360° protection for pipe or cable
- NEC 300-4 compliant



## MSP20 Features

- Easily punches holes in metal stud
- Cushioned handles mean less operator fatigue and more comfortable handling
- Innovative tool design has offset handles to allow punch to work in confined locations or near perpendicular walls
- Lightweight punch makes accurate location of holes easier
- Hardened steel components keep tool sharper longer
- Punches up to 20 gauge sheet metal
- Replacement cutter available



## Ordering Information

Catalog No.	Description	Box Qty.
ESGP	Anti-Rattle Grommet	100
ESGPM	Anti-Rattle Grommet	1000
ESG1	Easy Snap Grommet	100
ESG1M	Easy Snap Grommet	1000
MSP20	Metal Stud Punch	1
CRP	Replacement Cutter	1

### FASTENING PRODUCTS CUSTOMER SERVICE

Mechanical Division: Phone: 800-333-0852 • Fax: 800-677-5403

Electrical Division: Phone: 800-853-0878 • Fax: 800-462-4797

Technical Support: 800-25-CADDY (800-252-2338)

www.erico.com