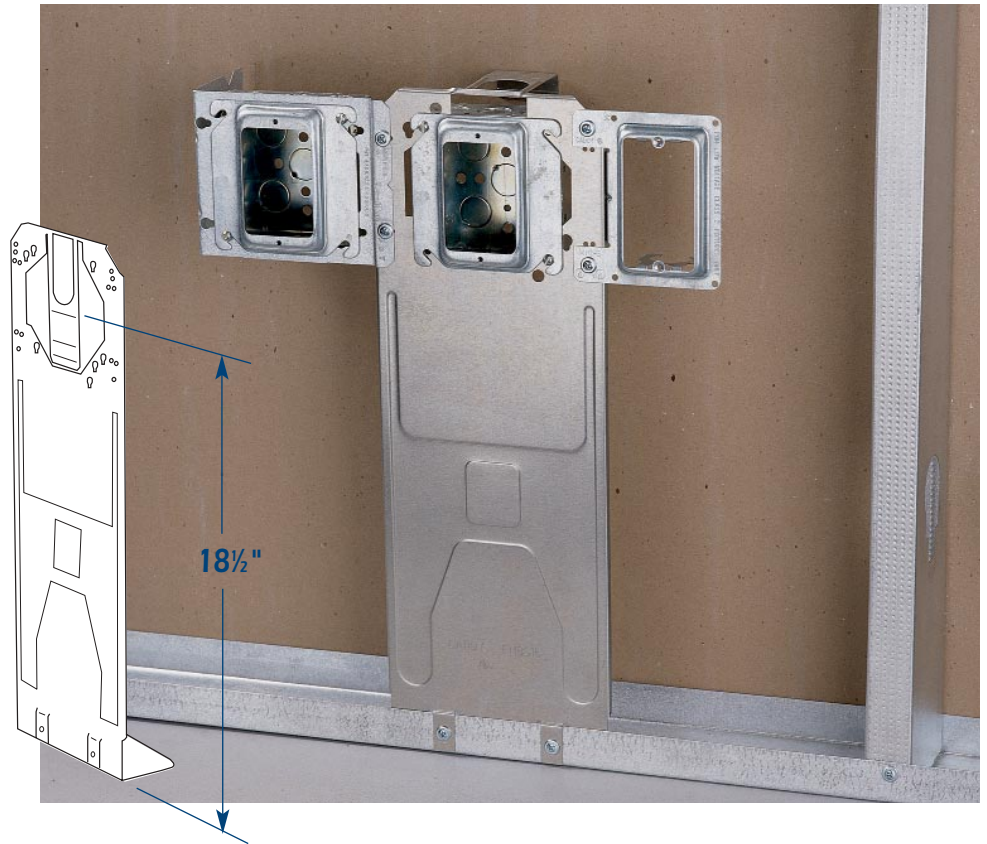


- Positions the center of electrical boxes 18½" above the mounting surface
- Complies with the Americans with Disabilities Act Standards
- Mounts 4" or 4¹¹/₁₆" U.S. or Canadian boxes; 1½" or 2¹/₈" deep
- Mount inside or under floor track
- Simplifies handling and inventory tracking



Installation is easy



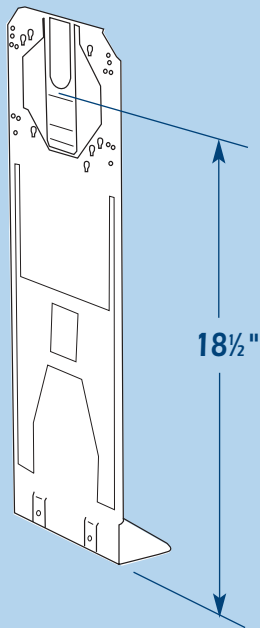
1 Bend back the far side support tab and attach electrical box

2 Position the assembly inside or under the floor track

3 Nail or screw in place



Floor Mount Box Support

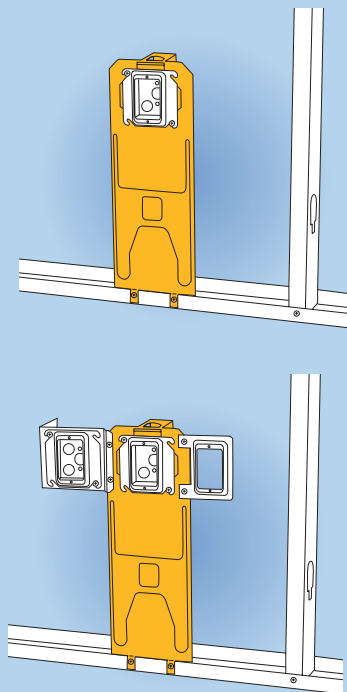


The CADDY FMBS18 Floor Mount Box Support easily positions the box 18½" from the mounting surface allowing for the box to be within the ADA* 16" minimum requirement, once the flooring is in place.



The FMBS18 provides quick, easy and efficient compliance to new construction requirements. It allows mounting of 4" or 4⅞" U.S. or Canadian boxes; 1½" or 2⅞" deep. Also, plaster rings can be mounted for low voltage applications. The FMBS18 can be mounted inside (using mounting tabs) or under floor track – independent of wall stud location.

Applications



Built-in far-side back support for 2½", 3½", and 4" metal or wood studs, eliminates stocking different size brackets. And, because just one bracket can be used for virtually all outlet types, the FMBS18 simplifies handling and inventory tracking.

For additional time-savings at the job site, electrical boxes can be preassembled to the FMBS18.

| Catalog No. | Description | Qty. Per Box |
|-------------|-------------------------|--------------|
| FMBS18 | Floor Mount Box Support | 25 |

*Complies with the Americans with Disabilities Act, Accessibility Guideline Standards.

FASTENING PRODUCTS CUSTOMER SERVICE