

# FMBS18

FOOTED BOX SUPPORT  
COMPLIES WITH THE  
AMERICAN DISABILITY ACT

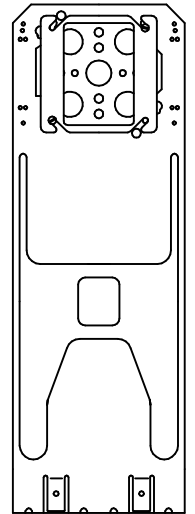
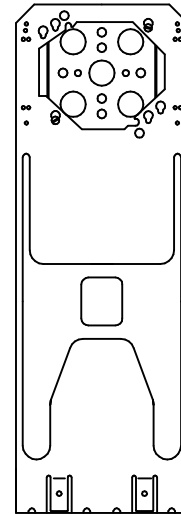
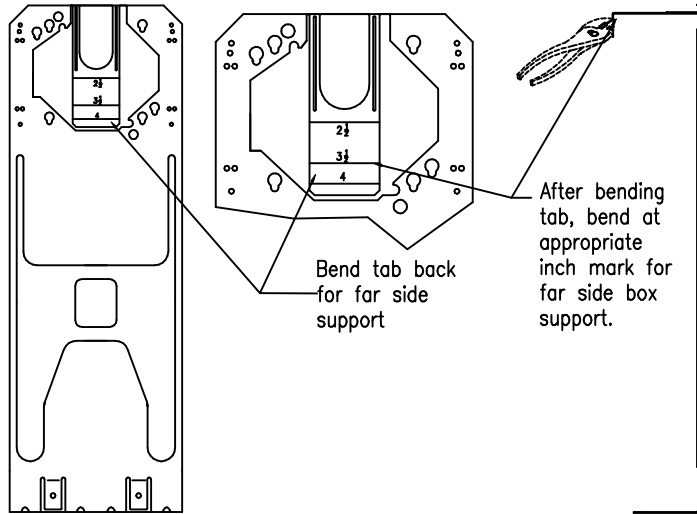
FACILITATES PRE-FAB WORK

ELECTRICAL BOX MOUNT-  
PRESET AT 18" TO CENTER  
OF THE BOX

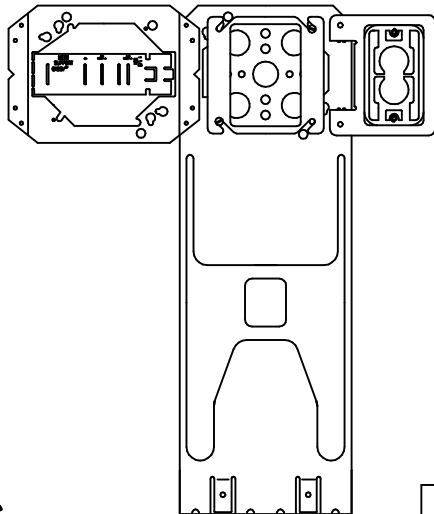
1. Bend tab for far side box support.  
Bend at appropriate depth mark.

2. Attach electrical box.

3. Add plaster ring.

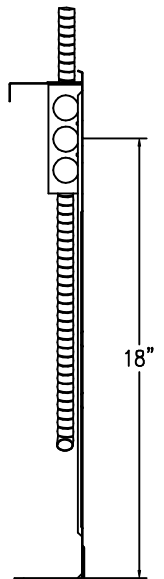
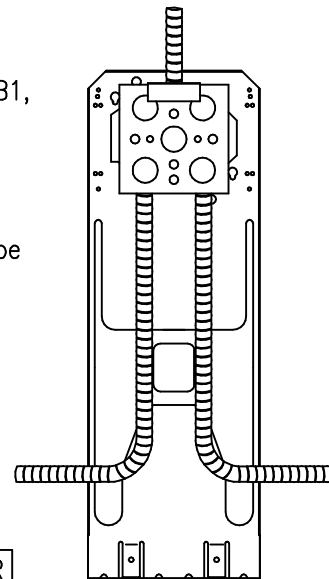


## FACILITATES PRE-FAB WORK



Brackets, such as the MEB1, H23, MP1S or MP2S, may be added to each side of the FMBS18.

Boxes and brackets may be pre-assembled to the FMBS18.



SEE REVERSE SIDE FOR FLOOR TRACK ATTACHMENT METHODS



TECHNICAL SUPPORT PHONE:  
(800) 25-CADDY  
(1-800-252-2339)  
www.erico.com

CFS284D

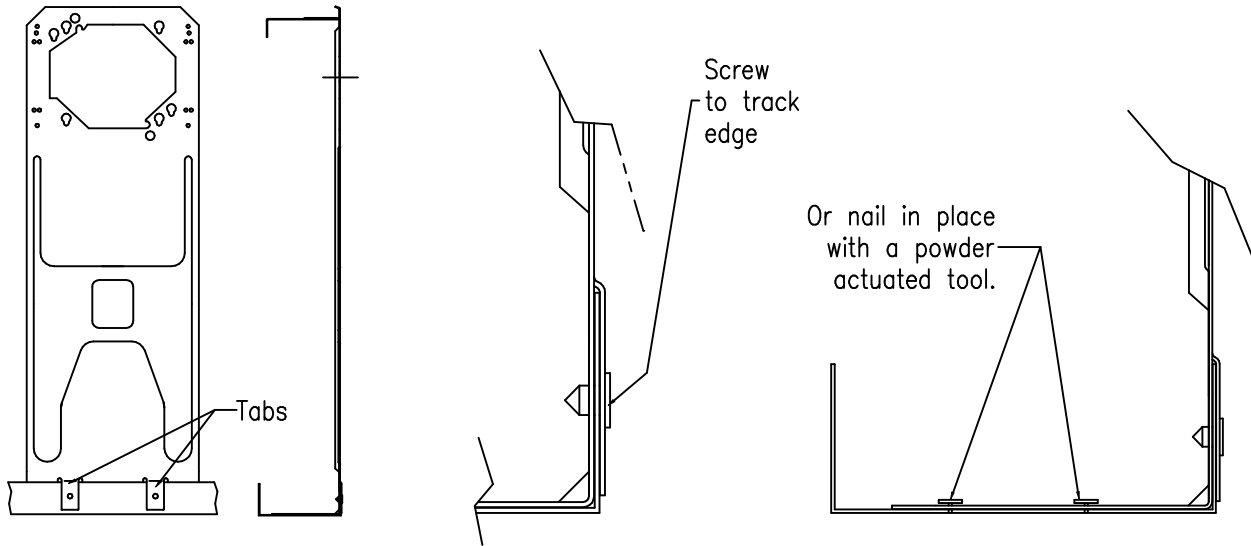
© 2002 ERICO, INC. PRINTED IN U.S.A.



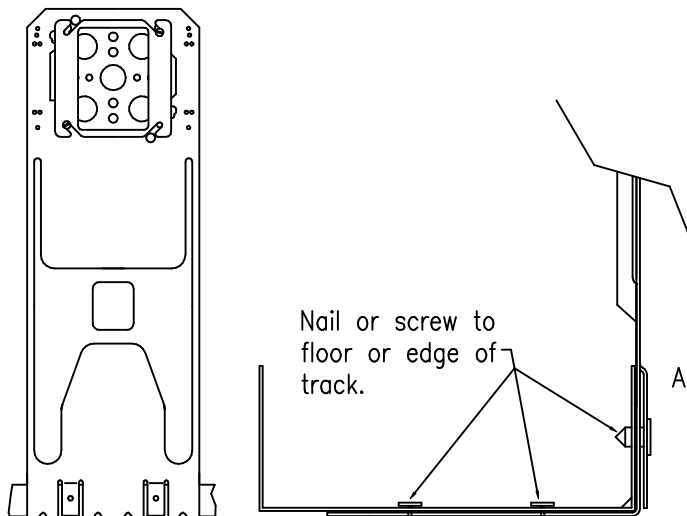
# INSTALLATION INSTRUCTIONS

To mount inside track:  
Place inside of floor track.

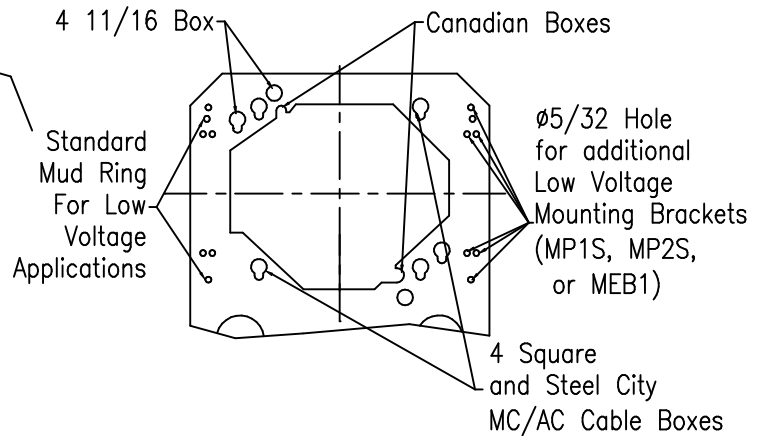
Nail or screw in place.



To mount under track:  
Slide bracket under floor track.



Detail for mounting electrical boxes and Low Voltage Mounting Brackets.



**WARNING:**

1. Caddy® Fasteners that are manufactured using spring steel components may be used only in a non-corrosive indoor environment. Only non-spring steel fasteners that have protective coatings may be used otherwise, as specified.
2. Fasteners must be used only in the manner depicted in the illustrations that accompany it and must not exceed static load ratings noted.
3. Fasteners are designed for use with a variety of industry standard building materials, structural shapes, and mechanical components. For the fastener to work properly, these items must meet the appropriate industry standards. (Examples: ANSI, AISC, AISI)
4. The buyer and/or installer is responsible for:
  - a. Application in conformance to local codes.
  - b. The integrity of structures to which the fasteners is attached, including their capability of safely accepting the loads imposed, as evaluated by a qualified engineer.
  - c. Using appropriate industry standard hardware as noted above.
5. Failure to observe these specifications may cause product malfunction resulting in property damage or bodily injury. ERICO Products at the time of shipment are warranted to conform to any applicable written description furnished to the Buyer by ERICO, and to be free from defects in material and workmanship. NO OTHER WARRANTY, WHETHER EXPRESS OR IMPLIED, (INCLUDING ANY WARRANTY OF MERCHANTABILITY OR FITNESS), SHALL EXIST IN CONNECTION WITH THE SALE OR USE OF ANY ERICO PRODUCT.

**SAFETY INSTRUCTIONS:** All safety regulations required by the job site must be observed. Special attention should be given to the following instructions. While working or on the job site:

1. Observe all Federal and local safety regulations.
2. Wear safety glasses with side shields.
3. Be aware of personnel working above and below.
4. Wear a hard hat.
5. Wear gloves to avoid splinters and cuts.
6. When working above ground level, be sure the structure will support your weight.



TECHNICAL SUPPORT PHONE:  
(800) 25-CADDY  
(1-800-252-2339)  
www.erico.com

CFS284D

© 2002 ERICO, INC. PRINTED IN U.S.A.

