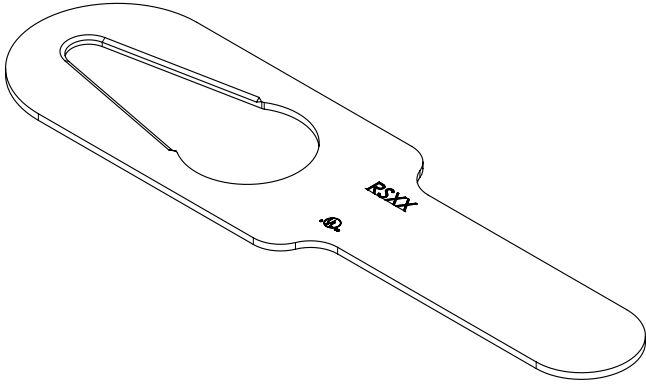
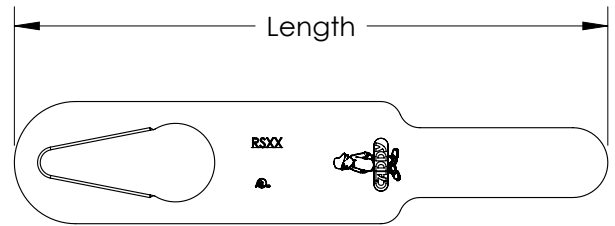


# Retrofit Retaining Strap

## For 3/8" and 1/2" Beam Clamps



Part Number	Length in [mm]
RS06	6 [152]
RS08	8 [203]
RS10	10 [254]
RS12	12 [305]
RS14	14 [355]
RS16	16 [406]
RS18	18 [457]



### Features:

The RSXX is intended for use in situations where a Retaining Strap is required to be installed on a pre-existing system. This allows installation without having to dismantle any of the beam clamps already in place. The Retaining Strap is also designed for use while installing Beam Clamps.

The Retaining Strap is intended for use with 3/8" and 1/2" Beam Clamps only. To determine the required length, measure the beam flange width and add 2 inches [50mm].

#### WARNING:

1. nVent products shall be installed and used only as indicated in nVent product instruction sheets and training materials. Instruction sheets are available at [www.nVent.com](http://www.nVent.com) and from your nVent customer service representative.
2. nVent products must never be used for a purpose other than the purpose for which they were designed or in a manner that exceeds specified load ratings.
3. All instructions must be completely followed to ensure proper and safe installation and performance.
4. Improper installation, misuse, misapplication or other failure to completely follow nVent's instructions and warnings may cause product malfunction, property damage, serious bodily injury and/or death, and void your warranty.
5. Products that are manufactured using spring steel components shall be used only in a non-corrosive indoor environment.
6. All pipe supports, hangers, intermediate components and structural attachments must **ONLY** be used as described herein and are **NEVER** to be used for any other purpose.

NOTE: All load ratings are for static conditions and do not account for dynamic loading such as wind, water or seismic loads, unless otherwise noted.

The customer is responsible for:

- a. Conformance to all governing codes.
- b. The integrity of structures to which the products are attached, including their capability of safely accepting the loads imposed, as evaluated by a qualified engineer.
- c. Using appropriate industry standard hardware as noted above.

#### SAFETY INSTRUCTIONS:

All governing codes and regulations and those required by the job site must be observed. Always use appropriate safety equipment such as eye protection, hard hat, and gloves as appropriate to the application.

nVent, nVent CADDY, nVent ERICO Cadweld, nVent ERICO Critec, nVent ERICO, nVent ERIFLEX, and nVent LENTON are owned by nVent or its global affiliates. All other trademarks are the property of their respective owners. nVent reserves the right to change specifications without prior notice.

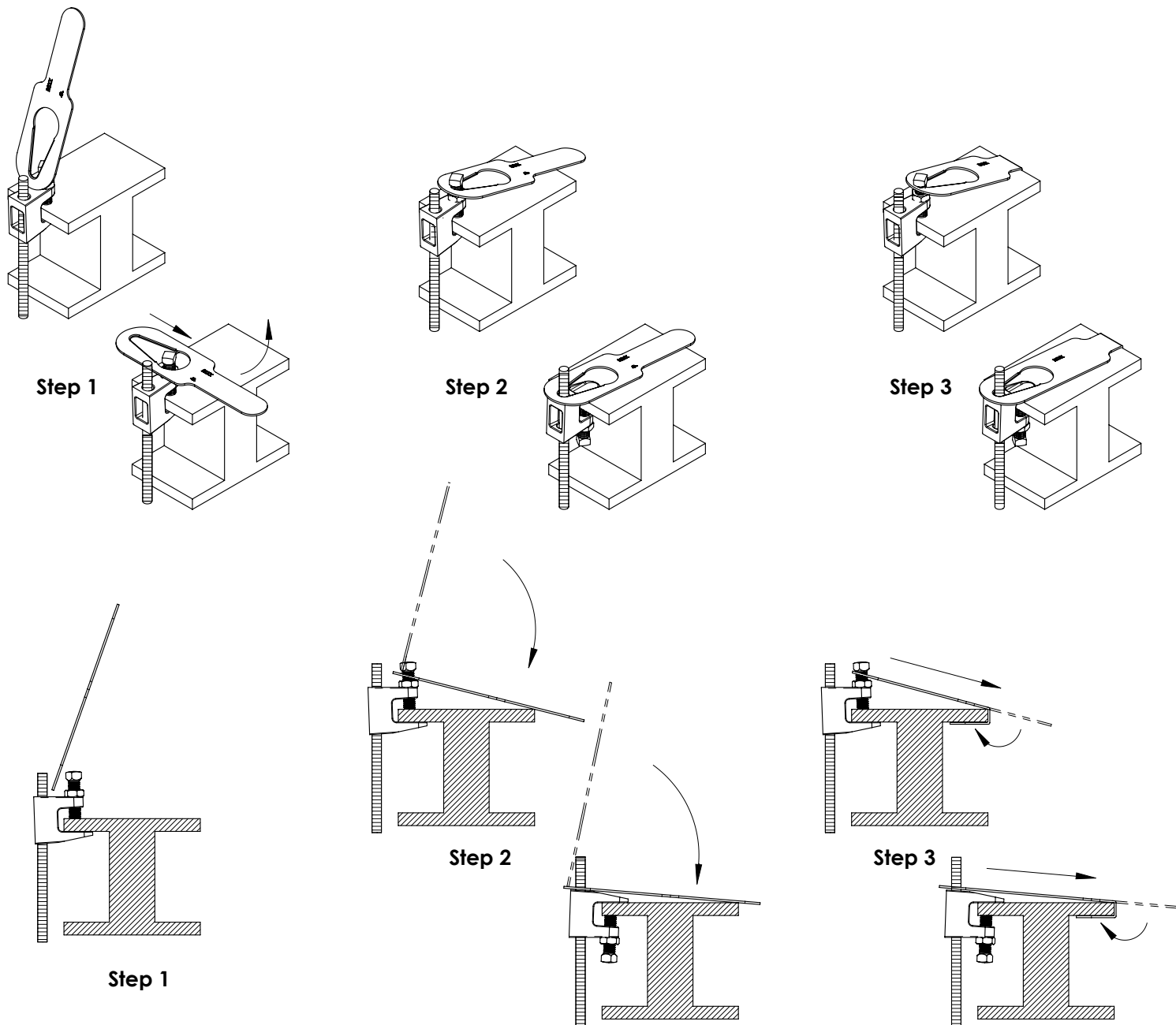
TECHNICAL SUPPORT:  
[www.nVent.com](http://www.nVent.com)

CFS560\_E

1 OF 2

© 2017-2020 nVent All Rights Reserved

**Retaining Strap can be installed on either the set screw or the threaded rod without the use of a nut. Retaining Strap can be installed on either the top or the bottom flange.**



- Step 1** Place the Retaining Strap vertically between the set screw and the threaded rod or slip the retaining strap hole side between the rod and set screw on an angle when mounting to the set screw. Otherwise place the retaining strap hole over the threaded rod and engage the threads.
- Step 2** Rotate the Retaining Strap towards the I-Beam. Keep the Retaining Strap as close to the Beam Clamp as possible. Ensure that threads are engaged in the tear drop opening of the Retaining Strap.
- Step 3** Pull tight and then wrap the end of the Retaining Strap around the beam flange to complete the installation.