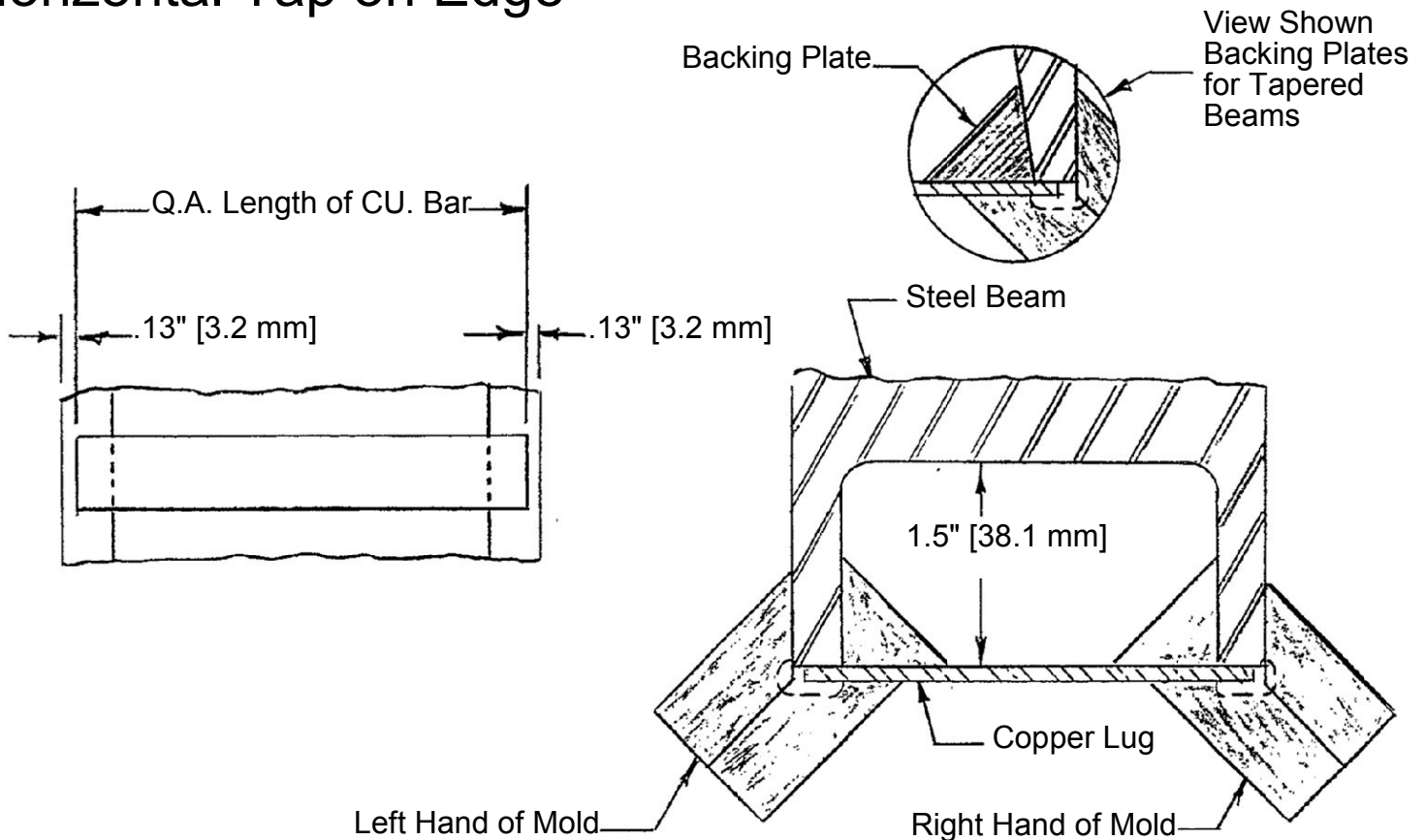


# Bus to vertical Steel Horizontal Tap on Edge



Prior to making a connection, read and follow the full instruction sheet IPRNS, the full instruction sheet IPP, the full instruction sheet shipped with CADWELD® (IPX), and special instructions below.

1. Measure outside width of steel beam. Cut copper .25" [6.4 mm] shorter. Position copper on steel beam .13" [3.2 mm] from ends (As shown above).
2. Position mold on copper and steel beam (as shown at left). Lock mold securely.
3. Position backing plate on inside of steel beam and copper. The bottom of backing plate should be even with bottom of mold.
4. Clamp backing plate and mold together with counter-clamp. Do not over tighten clamp, as this will force an opening at split of mold.
5. Check for any openings at bottom of mold and backing plate.

#### WARNING:

1. ERICO products shall be installed and used only as indicated in ERICO product instruction sheets and training materials. Instruction sheets are available at [www.erico.com](http://www.erico.com) and from your ERICO customer service representative.
2. ERICO products must never be used for a purpose other than the purpose for which they were designed or in a manner that exceeds specified load ratings.
3. All instructions must be completely followed to ensure proper and safe installation and performance.
4. Improper installation, misuse, misapplication or other failure to completely follow ERICO's instructions and warnings may cause product malfunction, property damage, serious bodily injury and death.

#### SAFETY INSTRUCTIONS:

All governing codes and regulations and those required by the job site must be observed. Always use appropriate safety equipment such as eye protection, hard hat, and gloves as appropriate to the application.

CADDY, CADWELD, CRITEC, ERICO, ERIFLEX, ERITECH, and LENTON are registered trademarks of ERICO International Corporation.