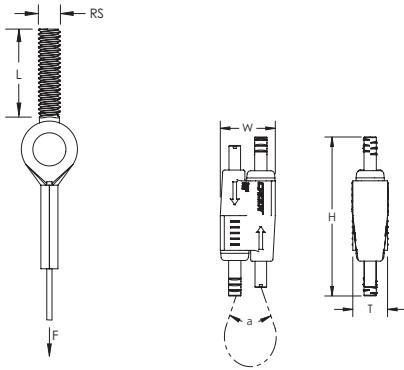


nVent CADDY Speed Link SLK with Threaded Stud End – SLK3L2SEM10 (196718)



- Complete system includes wire, locking device and pre-assembled threaded stud end fitting
- Attaches to structures with threaded anchors or devices with threaded hole
- Connects directly to threaded devices in trapeze assemblies, light fixtures, HVAC assemblies or signage



Part Number	SLK3L2SEM10
Article Number	196718
Material	Steel Polypropylene Zinc Alloy
Finish	Electrogalvanized
Static Load Safety Factor	5:1
Complies With	SMACNA HVAC-DCS
Wire Rope Diameter	3 mm
Wire Rope Length	2 m
Rod Size (RS)	M10
Screw Length (L)	45 mm
Height (H)	62 mm
Width (W)	24 mm
Thickness (T)	16 mm
Angle (a)	90° Max
Static Load (F)	890 N
Standard Packaging Quantity	10 x 10 pc
UPC	78285685645
EAN-13	8711893150957

WARNING

nVent products shall be installed and used only as indicated in nVent's product instruction sheets and training materials. Instruction sheets are available at www.erico.com and from your nVent customer service representative. Improper installation, misuse, misapplication or other failure to completely follow nVent's instructions and warnings may cause product malfunction, property damage, serious bodily injury and death and/or void your warranty.

© 2020 nVent All rights reserved

nVent, nVent CADDY, nVent ERICO, nVent ERIFLEX and nVent LENTON are owned by nVent or its global affiliates.

All other trademarks are the property of their respective owners. nVent reserves the right to change specifications without prior notice.

